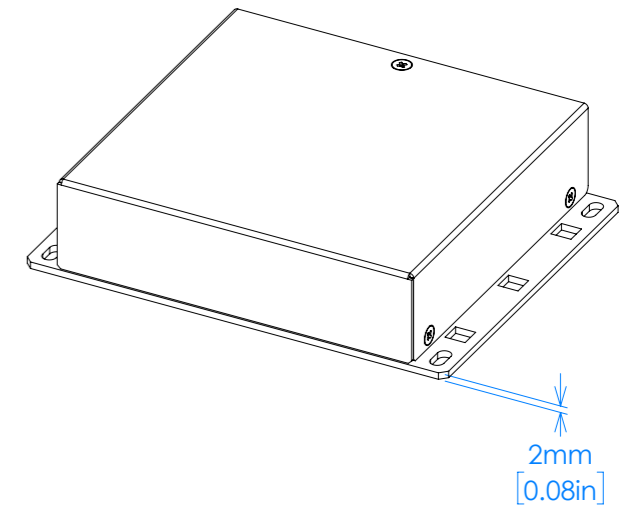


< 取付例 >



UNITS mm [in]		MODEL FP-100	
DRAWN Watanabe 2018/12/21	CHECKED Shibata 2018/12/21	APPROVED Kadowaki 2018/12/21	PART NAME 外観図 702E10
IDK Corporation www.idk.co.jp			REVISION A1
SCALE : 1:1 (A3)			PAGE 1 / 1