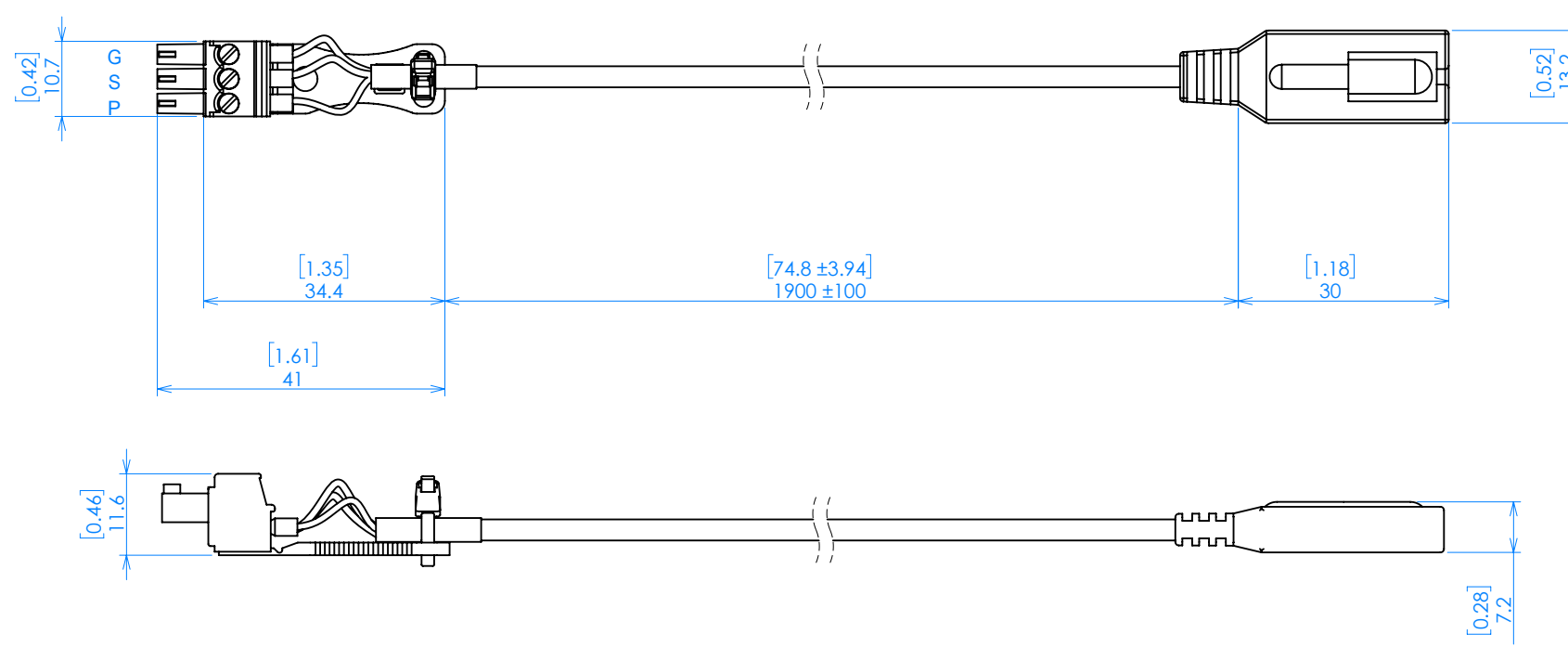


Weight : 28 g Ref.
Tolerance : ± 1 mm



UNITS mm [in]		MODEL IR-P01-R	
DRAWN Shibata 2022/12/07	CHECKED Watanabe 2022/12/07	APPROVED Kadowaki 2022/12/07	PART NAME IRケーブル 017E01
IDK Corporation www.idk.co.jp			REVISION B1
SCALE : 1:1 (A3)			PAGE 1 / 1