

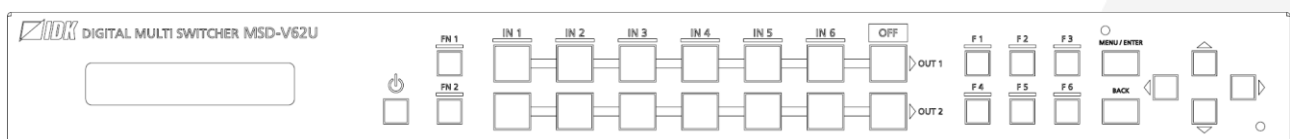
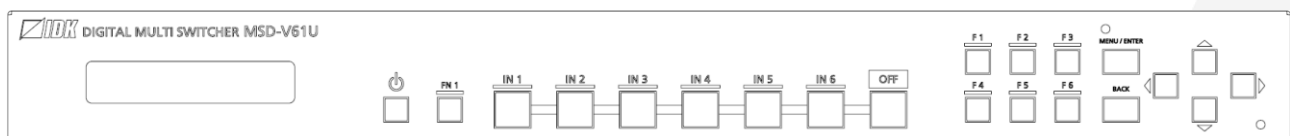
Digital Multi Switcher

MSD-V6 Series

MSD-V61U/MSD-V62U

Command Guide

Ver.1.0.0



Thank you for choosing our product.

To ensure the best performance of this product, please read this user guide fully and carefully before using it and keep this manual together with the product for future reference as needed.

- All rights reserved.
- Some information contained in this guide such as exact product appearance, communication commands, and so on may differ depending on the product version.
- This guide is subject to change without notice. You can download the latest version from IDK’s website at: www.idkav.com

About technical documentation

■ Please read the following guides before connecting the product to the power source.

<p>1. Safety Instructions Contains important safety instructions for the product to help ensure your own personal safety and protect the product and working environment from potential damage.</p>	<p>Provided with the product.</p>
<p>2. Setup Guide Contains setup information and precautions for installing the product and connecting cables.</p>	<p>Download from www.idkav.com</p>

■ Please refer to the following guides as needed.

<p>3. Operation Guide Describes how to configure and use the product.</p>	<p>Download from www.idkav.com</p>
<p>4. User Guide Contains detailed explanation of functions, setting values, and restrictions.</p>	
<p>5. Command Guide Contains information on controlling the product using communication commands through RS-232C or LAN communication.</p>	

Trademarks

- HDBaseT™ and the HDBaseT Alliance Logo are trademarks of the HDBaseT Alliance.
- The terms HDMI and HDMI High-Definition Multimedia Interface, and the HDMI Logo are trademarks or registered trademarks of HDMI Licensing Administrator, Inc. in the United States and other countries.
- SDVoE™ and SDVoE logo are trademarks of SDVoE Alliance.
- All other company and product names mentioned in this document are either registered trademarks or trademarks of their respective owners. In this document, the “®” or “™” marks may not be specified.
- ©2023 IDK Corporation, all rights reserved.

FCC STATEMENT

This equipment has been tested and found to comply with the limits for a Class A digital device, pursuant to part 15 of the FCC Rules. These limits are designed to provide reasonable protection against harmful interference when the equipment is operated in a commercial environment. This equipment generates, uses, and can radiate radio frequency energy and, if not installed and used in accordance with the instruction manual, may cause harmful interference to radio communications. Operation of this equipment in a residential area is likely to cause harmful interference, in which case the user will be required to correct the interference at his own expense.

CE MARKING

This equipment complies with the essential requirements of the relevant European health, safety and environmental protection legislation.

WEEE MARKING



Waste Electrical and Electronic Equipment (WEEE), Directive 2002/96/EC
(This directive is only valid in the EU.)

This equipment complies with the WEEE Directive (2002/96/EC) marking requirement.
The left marking indicates that you must not discard this electrical/electronic equipment in domestic household waste.

Contents

About this Guide.....	4
Command and Response	4
Command format	4
Response examples	4
RS-232C communication	5
RS-232C communication specification.....	5
Connecting RS-232C cable	5
LAN communication.....	6
LAN communication specification	6
LAN connector specification	6
The number of TCP-IP connections	6
Command list	7
Details of commands.....	10
Error status.....	10
Start-up status.....	10
Selecting I/O channels.....	11
Output resolution	13
Output	16
Input resolution	18
Input	19
Input channel automatic switching.....	20
Output audio.....	22
Input audio.....	24
EDID.....	25
RS-232C	27
LAN.....	28
Control commands	30
User preset	39
Bitmap	45
Configuring MSD-V6	45
Status	46
Unsolicited status notification.....	51

About this Guide

The MSD-V6 series switchers (hereafter referred to as MSD-V6) can be remotely configured and controlled via RS-232C communication or LAN communication.

This guide describes the operation of the MSD-V6 via commands based on the MSD-V62U.

Command and Response

Setting command : For setting or changing commands

Getting command : For getting the current settings or statuses

Command format

A command consists of [**@**] (**40** in hex), 3 one-byte alphabetical characters (Not case sensitive), and parameters. [,] (a comma, **2C** in hex) is indicated between two characters.

The number of parameters varies depending on commands.

Processing is executed by sending line endings <CR><LF> (return+line feed, **0D** and **0A** in hex) at the end of the command. The line endings are added to each response.

@SPM,2<CR><LF> in hex:

	Header	3 one-byte alphabetical characters			Comma	Parameter	Line endings	
ASCII	@	S	P	M	,	2	CR	LF
Hex	40	53	50	4D	2C	32	0D	0A

Response examples

If the command is valid and performed,

Setting: the same command string is returned.

Command example → @SSW,1,1<CR><LF>

Response example ← @SSW,1,1<CR><LF>

Getting: the current settings are returned in ascending order following the sent command.

Command example → @GSW,1<CR><LF>

Response example ← @GSW,1,1,1<CR><LF>

Error response:

If the command is invalid, an error response (“@ERR Error status (P.10)”) is returned.

Command example → @XXX<CR><LF>

Response example ← @ERR,2<CR><LF>

RS-232C communication

It takes about 10 seconds at maximum to be ready for normal operation after powering up. If RS-232C communication of HDBaseT/10GbE input or output, the maximum time depends on the system configuration.

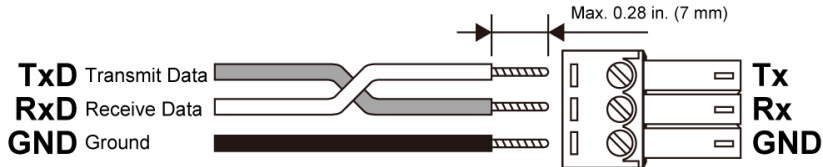
RS-232C communication specification

Compliant standard	RS-232C
Baud rate	4800/9600/14400/19200/38400/57600/115200 [bps]
Data bit length	7/8 [bit]
Parity check	NONE, ODD, EVEN
Stop bit	1/2 [bit]
X parameter	Invalid
Flow control	None
Delimiter	CR LF (Carriage return and line feed, 0D and 0A in hex)
Communication method	Full duplex

Connecting RS-232C cable

Insert and secure the wires from the RS-232C cable into the supplied 3-pin captive screw connector, and then insert the captive screw connector into the mating connector on the MSD-V6.

28 AWG to 16 AWG conductor gauge is recommended. The recommended wire strip length is 0.28 in. (7 mm). Short RTS/CTS and DTR/DSR as needed.



LAN communication

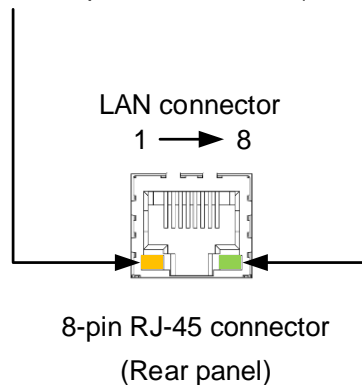
It takes about 13 seconds at maximum to be ready for normal operation after powering up.
If LAN communication of HDBaseT/10GbE input or output, the maximum time depends on the system configuration.

LAN communication specification

Physical layer	10Base-T (IEEE802.3i)/100Base-TX (IEEE802.3u)
Network layer	ARP/IP/ICMP
Transport layer	TCP Port used for command control : 1100 Port used for WEB browser control(HTTP) : 80 UDP Port used for status notification: 1 to 65535
Application layer	HTTP/TELNET
Maximum number of connections	8

LAN connector specification

Amber : 100 Mbps
Does not illuminate: 10 Mbps
Green (illuminates) : Link is established.
Green (blinks) : Data is being sent/received.



Auto MDI/MDI-X that distinguishes and switches straight/cross cables automatically is supported.

The number of TCP-IP connections

The MSD-V6 supports up to eight simultaneous TCP-IP connections (Eight logical ports).
To maintain optimal system accessibility, it is advisable to issue **port-open** and **port-close** commands before and after command or query strings are issued. This approach enables eight or more control devices to be effectively interfaced simultaneously and without concern for communication errors.

As a safeguard, the MSD-V6 incorporates a 30-second timeout window for each port. If any port is inactive for more than 30 seconds, it will be closed automatically.

You can change the timeout setting using "**@GLD/@SLD Automatic disconnection time (Timeout) (P.29)**".

Command list

■ Error status

@ERR	Error status	10
------	--------------	----

■ Start-up status

@GDS/@SDS	Start-up status	10
-----------	-----------------	----

■ Selecting I/O channels

@GSW/@SSW	Switching video and audio channel simultaneously	11
@GSV/@SSV	Switching video channel	12
@GSA/@SSA	Switching audio channel	12

■ Output resolution

@GOT/@SOT	Output resolution	13
@GUM/@SUM	Aspect ratio for sink device	14
@GSD/@SSD	Image position/Image size	14
@GTP/@STP	Test pattern	15
@GPI/@SPI	PinP output	15

■ Output

@GVO/@SVO	Signal output	16
@GDB/@SDB	Video mute	16
@GEN/@SEN	HDCP authentication	17
@HAU	HDCP re-encryption	17
@GCE/@SCE	CEC connection	17

■ Input resolution

@GAP/@SAP	Aspect ratio	18
@GAR/@SAR	Aspect ratio control	18
@GNW/@SNW	Image position/Image size	19

■ Input

@GIE/@SIE	Selecting input connector	19
@GHE/@SHE	HDCP input	20

■ Input channel automatic switching

@GAU/@SAU	Signal ON priority	20
@GOF/@SOF	Signal OFF priority	21
@GAD/@SAD	Switching mode of automatic switching	21

■ Output audio

@GUC/@SUC	Audio output	22
@GAV/@SAV	Audio level	22
@SOL	Adjusting output audio level	22
@GOL	Output audio limit status	23
@GAM/@SAM	Mute	23
@GAE/@SAE	Analog audio output	23

■ Input audio

@GAS/@SAS	Input audio	24
@GSO/@SSO	Audio level	24
@SDZ	Adjusting input audio level	24
@GDZ	Input audio limit status	25
@GAW/@SAW	Stable wait (Audio signal)	25

■ EDID

@GED/@SED	EDID selection	25
@GVF/@SVF	Resolution	26

■ RS-232C

@GCT/@SCT	Communication setting	27
@GCF/@SCF	Operation mode	27

■ LAN

@GIP/@SIP	IP address	28
@GSB/@SSB	Subnet mask	28
@GGW/@SGW	Gateway address	28
@GMC	MAC address	28
@GLG/@SLG	Control command destination	29
@GLD/@SLD	Automatic disconnection time (Timeout)	29

■ Control commands

@GEC/@SEC	Registering/Editing control command (Communication command)	30
@GEC/@SEC	Registering/Editing control command (Displaying received data)	32
@GEC/@SEC	Registering/Editing control command (Contact closure)	34
@GEC/@SEC	Registering/Editing control command (CEC)	35
@GRC/@SRC	Registering/Editing reply command	36
@GCC/@SCC	Command link	37
@EXC	Command execution	39
@DEC	Initializing registered command data/function or link	39

■ User preset

@SCM	Saving crosspoint memory	39
@SCV	Saving crosspoint memory (Setting video input channel)	40
@SCA	Saving crosspoint memory (Setting audio input channel)	40
@GCM/@ECM	Editing crosspoint memory	41
@GCV/@ECV	Editing crosspoint memory (Setting video input channel)	42
@GCA/@ECA	Editing crosspoint memory (Setting audio input channel)	42
@RCM	Recalling crosspoint memory	43
@RCV	Recalling crosspoint memory (Setting video input channel)	43
@RCA	Recalling crosspoint memory (Setting video input channel)	43
@SPM	Saving preset memory	43
@RPM	Recalling preset memory	44
@SWM	Saving pattern memory	44
@RWM	Recalling pattern memory	44

■ Bitmap

@GBM/@SBM	Bitmap output	45
-----------	---------------	----

■ Configuring MSD-V6

@GFA/@SFA	Function button assignment	45
-----------	----------------------------	----

■ Status

@GSS	Input signal/Output signal status	46
@GES	Viewing sink device EDID	49
@GHC	System check	50
@GIV	Device information	50

■ Unsolicited status notification

@GDA/@SDA	IP address/UDP port number of destination	52
@GPH/@SPH	Notification interval	52
@PSH	Unsolicited status notification	53
@AIN	Input signal status (For each connector)	54
@AOT	Output signal status (For each channel)	56
@GAA	Alarm status	58

Details of commands

Default values are shaded.

Optional descriptions are indicated in parentheses.

Error status

@ERR	Error status
Response	@ERR,error<CR><LF>
error: Error status 1 = Erroneous format or value 2 = Undefined command or wrong format 3 = The command could not be executed. 4 = Loading EDID from the sink device failed. 10 = The command could not be executed, because it is in standby status. 30 = The command could not be executed, because the control command was not registered. 31 = The command could not be executed since another command was being executed. 32 = The control command was stopped according to the stop condition. 33 = The control command was stopped since the number of retries exceeded the set value of RETRY. 34 = The control command of PJLink was stopped since the password did not match.	
Getting example	
@SDS<CR><LF>	Setting the start-up status
@ERR,1<CR><LF>	Command format or parameter was invalid.

Start-up status

@GDS/@SDS	Start-up status	
Getting	Command	@GDS<CR><LF>
	Response	@GDS,state<CR><LF>
Setting	Command	@SDS,state<CR><LF>
state: Start-up status 0 = OFF (Standby) 1 = ON (Powered on)		
Getting example		
@GDS<CR><LF>	Getting the start-up status	
@GDS,1<CR><LF>	ON	
Setting example		
@SDS,1<CR><LF>	Setting the start-up status to ON	

Selecting I/O channels

@GSW/@SSW		Switching video and audio channel simultaneously
Getting	Command	@GSW<CR><LF>
	Response	@GSW,video_main_1,audio_main_1,video_pinp_1,video_main_2,audio_main_2,video_pinp_2<CR><LF>
Setting	Command	@SSW,input>window(,input>window···)<CR><LF>
video_main_1-2 : Video input channel of the OUT1/OUT2 main window audio_main_1-2 : OUT1/OUT2 audio input channel video_pinp_1-2 : Video input channel of the OUT1/OUT2 PinP window 0 = OFF 1 to 6 = IN1 to IN6		
input: Video/audio input channel 0 = OFF 1 to 6 = IN1 to IN6		
window: Video/audio window 0 = All windows 1 = OUT1 main window 2 = OUT2 main window 201 = OUT1 PinP window 202 = OUT2 PinP window		
Getting example		
@GSW<CR><LF> @GSW,2,2,1,1,3,4<CR><LF>		Getting the video/audio input channel <ul style="list-style-type: none"> ▪ Video input channel of the OUT1 main window : IN2 ▪ OUT1 audio input channel : IN2 ▪ Video input channel of the OUT1 PinP window : IN1 ▪ Video input channel of the OUT2 main window : IN1 ▪ OUT2 audio input channel : IN3 ▪ Video input channel of the OUT2 PinP window : IN4
Setting example		
@SSW,1,0<CR><LF>		Setting the input channel of all windows to IN1

@GSV/@SSV		Switching video channel
Getting	Command	@GSV<CR><LF>
	Response	@GSV,video_main_1,video_pinp_1,video_main_2,video_pinp_2<CR><LF>
Setting	Command	@SSV,input>window(,input>window···)<CR><LF>
video_main_1-2: Video input channel of the OUT1/OUT2 main window video_pinp_1-2 : Video input channel of the OUT1/OUT2 PinP window 0 = OFF 1 to 6 = IN1 to IN6		
input: Video input channel 0 = OFF 1 to 6 = IN1 to IN6		
window: Video window 0 = All windows 1 = OUT1 main window 2 = OUT2 main window 201 = OUT1 PinP window 202 = OUT2 PinP window		
Getting example		
@GSV<CR><LF>		Getting the video input channel
@GSV,2,1,3,4<CR><LF>		<ul style="list-style-type: none"> ▪ OUT1 main window: IN2 ▪ OUT1 PinP window: IN1 ▪ OUT2 main window: IN3 ▪ OUT2 PinP window: IN4
Setting example		
@SSV,1,0<CR><LF>		Setting the video input channel of all windows to IN1

@GSA/@SSA		Switching audio channel
Getting	Command	@GSA<CR><LF>
	Response	@GSA,audio_main_1,audio_main_2<CR><LF>
Setting	Command	@SSA,input,output(,input,output)<CR><LF>
audio_main_1-2: OUT1/OUT2 audio input channel 0 = OFF 1 to 6 = IN1 to IN6		
input: Audio input channel 0 = OFF 1 to 6 = IN1 to IN6		
output: Audio output channel 0 = All outputs 1 = OUT1 2 = OUT2		
Getting example		
@GSA<CR><LF>		Getting the audio input channel
@GSA,1,2<CR><LF>		<ul style="list-style-type: none"> ▪ OUT1: IN1 ▪ OUT2: IN2
Setting example		
@SSA,1,1<CR><LF>		Setting the OUT1 audio input channel to IN1

Output resolution

@GOT/@SOT		Output resolution																																														
Getting	Command	@GOT,output<CR><LF>																																														
	Response	@GOT,output,auto,resolution(,auto,resolution)<CR><LF>																																														
Setting	Command	@SOT,output,auto,resolution<CR><LF>																																														
output: Output channel 0 = All outputs 1 = OUT1 2 = OUT2																																																
auto: Output resolution mode 0 = Resolution selected below (resolution) 1 = AUTO_A 2 = AUTO_B* *Available only for HDBaseT connector																																																
resolution: Output resolution																																																
<table border="0"> <tr> <td>3 = 1024x768 (XGA)</td> <td>4 = 1280x768 (WXGA)</td> </tr> <tr> <td>5 = 1280x800 (WXGA)</td> <td>6 = 1280x960 (QuadVGA)</td> </tr> <tr> <td>7 = 1280x1024 (SXGA)</td> <td>8 = 1360x768 (WXGA)</td> </tr> <tr> <td>9 = 1366x768 (WXGA)</td> <td>10 = 1400x1050 (SXGA+)</td> </tr> <tr> <td>11 = 1440x900 (WXGA+)</td> <td>12 = 1600x900 (WXGA++)</td> </tr> <tr> <td>13 = 1600x1200 (UXGA)</td> <td>14 = 1680x1050 (WSXGA+)</td> </tr> <tr> <td>15 = 1920x1080 (VESAHD)</td> <td>16 = 1920x1200 (WUXGA)</td> </tr> <tr> <td>17 = 2048x1152 (QWXGA)</td> <td>20 = 2560x1440 (WQHD)</td> </tr> <tr> <td>21 = 2560x1600 (WQXGA)</td> <td></td> </tr> <tr> <td>31 = 480p 59.94Hz</td> <td>33 = 576p 50Hz</td> </tr> <tr> <td>34 = 720p 50Hz</td> <td>35 = 720p 59.94Hz</td> </tr> <tr> <td>36 = 720p 60Hz</td> <td>37 = 1080i 50Hz</td> </tr> <tr> <td>38 = 1080i 59.94Hz</td> <td>39 = 1080i 60Hz</td> </tr> <tr> <td>40 = 1080p 50Hz</td> <td>41 = 1080p 59.94Hz</td> </tr> <tr> <td>42 = 1080p 60Hz</td> <td></td> </tr> <tr> <td>50 = 3840x2160 23.98Hz</td> <td>51 = 3840x2160 24Hz</td> </tr> <tr> <td>52 = 3840x2160 25Hz</td> <td>53 = 3840x2160 29.97Hz</td> </tr> <tr> <td>54 = 3840x2160 30Hz</td> <td>55 = 3840x2160 50Hz</td> </tr> <tr> <td>56 = 3840x2160 59.94Hz</td> <td>57 = 3840x2160 60Hz</td> </tr> <tr> <td>60 = 4096x2160 23.98Hz</td> <td>61 = 4096x2160 24Hz</td> </tr> <tr> <td>62 = 4096x2160 25Hz</td> <td>63 = 4096x2160 29.97Hz</td> </tr> <tr> <td>64 = 4096x2160 30Hz</td> <td>65 = 4096x2160 50Hz</td> </tr> <tr> <td>66 = 4096x2160 59.94Hz</td> <td>67 = 4096x2160 60Hz</td> </tr> </table>			3 = 1024x768 (XGA)	4 = 1280x768 (WXGA)	5 = 1280x800 (WXGA)	6 = 1280x960 (QuadVGA)	7 = 1280x1024 (SXGA)	8 = 1360x768 (WXGA)	9 = 1366x768 (WXGA)	10 = 1400x1050 (SXGA+)	11 = 1440x900 (WXGA+)	12 = 1600x900 (WXGA++)	13 = 1600x1200 (UXGA)	14 = 1680x1050 (WSXGA+)	15 = 1920x1080 (VESAHD)	16 = 1920x1200 (WUXGA)	17 = 2048x1152 (QWXGA)	20 = 2560x1440 (WQHD)	21 = 2560x1600 (WQXGA)		31 = 480p 59.94Hz	33 = 576p 50Hz	34 = 720p 50Hz	35 = 720p 59.94Hz	36 = 720p 60Hz	37 = 1080i 50Hz	38 = 1080i 59.94Hz	39 = 1080i 60Hz	40 = 1080p 50Hz	41 = 1080p 59.94Hz	42 = 1080p 60Hz		50 = 3840x2160 23.98Hz	51 = 3840x2160 24Hz	52 = 3840x2160 25Hz	53 = 3840x2160 29.97Hz	54 = 3840x2160 30Hz	55 = 3840x2160 50Hz	56 = 3840x2160 59.94Hz	57 = 3840x2160 60Hz	60 = 4096x2160 23.98Hz	61 = 4096x2160 24Hz	62 = 4096x2160 25Hz	63 = 4096x2160 29.97Hz	64 = 4096x2160 30Hz	65 = 4096x2160 50Hz	66 = 4096x2160 59.94Hz	67 = 4096x2160 60Hz
3 = 1024x768 (XGA)	4 = 1280x768 (WXGA)																																															
5 = 1280x800 (WXGA)	6 = 1280x960 (QuadVGA)																																															
7 = 1280x1024 (SXGA)	8 = 1360x768 (WXGA)																																															
9 = 1366x768 (WXGA)	10 = 1400x1050 (SXGA+)																																															
11 = 1440x900 (WXGA+)	12 = 1600x900 (WXGA++)																																															
13 = 1600x1200 (UXGA)	14 = 1680x1050 (WSXGA+)																																															
15 = 1920x1080 (VESAHD)	16 = 1920x1200 (WUXGA)																																															
17 = 2048x1152 (QWXGA)	20 = 2560x1440 (WQHD)																																															
21 = 2560x1600 (WQXGA)																																																
31 = 480p 59.94Hz	33 = 576p 50Hz																																															
34 = 720p 50Hz	35 = 720p 59.94Hz																																															
36 = 720p 60Hz	37 = 1080i 50Hz																																															
38 = 1080i 59.94Hz	39 = 1080i 60Hz																																															
40 = 1080p 50Hz	41 = 1080p 59.94Hz																																															
42 = 1080p 60Hz																																																
50 = 3840x2160 23.98Hz	51 = 3840x2160 24Hz																																															
52 = 3840x2160 25Hz	53 = 3840x2160 29.97Hz																																															
54 = 3840x2160 30Hz	55 = 3840x2160 50Hz																																															
56 = 3840x2160 59.94Hz	57 = 3840x2160 60Hz																																															
60 = 4096x2160 23.98Hz	61 = 4096x2160 24Hz																																															
62 = 4096x2160 25Hz	63 = 4096x2160 29.97Hz																																															
64 = 4096x2160 30Hz	65 = 4096x2160 50Hz																																															
66 = 4096x2160 59.94Hz	67 = 4096x2160 60Hz																																															
If output resolution mode is set to [AUTO-A] or [AUTO-B], select [0] for this parameter. For getting command, the current output resolution is returned.																																																
Getting example																																																
@GOT,1<CR><LF>		Getting the OUT1 output resolution																																														
@GOT,1,1,7<CR><LF>		<ul style="list-style-type: none"> • Output resolution mode : AUTO_A • Output resolution : 1280x1024 																																														
Setting example																																																
@SOT,1,0,11<CR><LF>		Setting the OUT1 output resolution to 1440x900																																														

@GUM/@SUM		Aspect ratio for sink device
Getting	Command	@GUM,output<CR><LF>
	Response	@GUM,output,aspect(,aspect)<CR><LF>
Setting	Command	@SUM,output,aspect<CR><LF>
output: Output channel 0 = All outputs 1 = OUT1 2 = OUT2		
aspect: Aspect ratio for sink device 0 = RESOLUTION 1 = FULL 2 = 4:3 3 = 5:3 4 = 5:4 5 = 16:9 6 = 16:10 7 = 256:135		
Getting example		
@GUM,0<CR><LF> @GUM,0,5,2<CR><LF>		Getting the aspect ratio for sink device • OUT1 : 16:9 • OUT2 : 4:3
Setting example		
@SUM,1,5<CR><LF>		Setting the OUT1 aspect ratio for sink device to 16:9

@GSD/@SSD		Image position/Image size
Getting	Command	@GSD,output<CR><LF>
	Response	@GSD,output,h_position,v_position,h_size,v_size(h_position,v_position,h_size···)<CR><LF>
Setting	Command	@SSD,output,h_position,v_position,h_size,v_size<CR><LF>
output: Output channel 0 = All outputs 1 = OUT1 main window 2 = OUT2 main window 201 = OUT1 PinP window 202 = OUT2 PinP window		
h_position: Horizontal image position -40000 to 10000 = -400.00% to 100.00% 0 (0.00%)		
v_position: Vertical image position -40000 to 10000 = -400.00% to 100.00% 0 (0.00%)		
h_size: Horizontal image size 2000 to 40000 = 20.00% to 400.00% 10000 (100.00%)		
v_size: Vertical image size 2000 to 40000 = 20.00% to 400.00% 10000 (100.00%)		
Getting example		
@GSD,1<CR><LF> @GSD,1,0,0,10000,10000<CR><LF>		Getting the image position/image size of the OUT1 main window • Horizontal/Vertical image position : 0.00% • Horizontal/Vertical image size : 100.00%
Setting example		
@SSD,1,0,0,10000,10000<CR><LF>		Setting the image position/image size of the OUT1 main window as follows: • Horizontal/Vertical image position : 0.00% • Horizontal/Vertical image size : 100.00%

@GTP/@STP		Test pattern																		
Getting	Command	@GTP,output<CR><LF>																		
	Response	@GTP,output,pattern,scroll(,pattern,scroll)<CR><LF>																		
Setting	Command	@STP,output,pattern,scroll<CR><LF>																		
output: Output channel 0 = All outputs 1 = OUT1 2 = OUT2																				
pattern <table border="0"> <tr> <td>0 = OFF</td> <td>1 = V-COLOR BAR*</td> </tr> <tr> <td>2 = H-COLOR BAR*</td> <td>3 = V-GRAY SCALE*</td> </tr> <tr> <td>4 = H-GRAY SCALE*</td> <td>5 = VERTICAL RAMP*</td> </tr> <tr> <td>6 = HORIZONTAL RAMP*</td> <td>7 = 100% WHITE RASTER</td> </tr> <tr> <td>8 = 50% WHITE RASTER</td> <td>9 = RED RASTER</td> </tr> <tr> <td>10 = GREEN RASTER</td> <td>11 = BLUE RASTER</td> </tr> <tr> <td>12 = CROSS HATCH</td> <td>13 = OUTPUT FRAME</td> </tr> <tr> <td>14 = VERTICAL STRIPE</td> <td>15 = HORIZONTAL STRIPE</td> </tr> <tr> <td>16 = VERTICAL ZEBRA*</td> <td>17 = HORIZONTAL ZEBRA*</td> </tr> </table> <p>* Can be scrolled</p>			0 = OFF	1 = V-COLOR BAR*	2 = H-COLOR BAR*	3 = V-GRAY SCALE*	4 = H-GRAY SCALE*	5 = VERTICAL RAMP*	6 = HORIZONTAL RAMP*	7 = 100% WHITE RASTER	8 = 50% WHITE RASTER	9 = RED RASTER	10 = GREEN RASTER	11 = BLUE RASTER	12 = CROSS HATCH	13 = OUTPUT FRAME	14 = VERTICAL STRIPE	15 = HORIZONTAL STRIPE	16 = VERTICAL ZEBRA*	17 = HORIZONTAL ZEBRA*
0 = OFF	1 = V-COLOR BAR*																			
2 = H-COLOR BAR*	3 = V-GRAY SCALE*																			
4 = H-GRAY SCALE*	5 = VERTICAL RAMP*																			
6 = HORIZONTAL RAMP*	7 = 100% WHITE RASTER																			
8 = 50% WHITE RASTER	9 = RED RASTER																			
10 = GREEN RASTER	11 = BLUE RASTER																			
12 = CROSS HATCH	13 = OUTPUT FRAME																			
14 = VERTICAL STRIPE	15 = HORIZONTAL STRIPE																			
16 = VERTICAL ZEBRA*	17 = HORIZONTAL ZEBRA*																			
scroll: Scrolling 0 = OFF 1 = SLOW 2 = FAST																				
Getting example																				
@GTP,1<CR><LF>		Getting the OUT1 test pattern																		
@GTP,1,3,1<CR><LF>		<ul style="list-style-type: none"> ▪ Pattern : V-GRAY SCALE ▪ Scrolling : SLOW 																		
Setting example																				
@STP,1,1,0<CR><LF>		Setting the OUT1 test pattern and scrolling to V-COLOR BAR and OFF, respectively																		

@GPI/@SPI		PinP output
Getting	Command	@GPI,output<CR><LF>
	Response	@GPI,output,pinp_display(,pinp_display)<CR><LF>
Setting	Command	@SPI,output,pinp_display<CR><LF>
output: Output channel 0 = All outputs 1 = OUT1 2 = OUT2		
pinp_display: PinP output 0 = OFF 1 = ON		
Getting example		
@GPI,1<CR><LF>		Getting the OUT1 PinP output
@GPI,1,1<CR><LF>		ON
Setting example		
@SPI,1,0<CR><LF>		Setting the OUT1 PinP output to OFF

Output

@GVO/@SVO		Signal output
Getting	Command	@GVO,output<CR><LF>
	Response	@GVO,output,signal(,signal···)<CR><LF>
Setting	Command	@SVO,output,signal<CR><LF>
output: Output connector 0 = All outputs 1 = OUT1A 2 = OUT2A 201 = OUT1B 202 = OUT2B		
signal: Signal output 0 = OFF 1 = ON		
Getting example		
@GVO,201<CR><LF>		Getting the OUT1B signal output
@GVO,201,1<CR><LF>		ON
Setting example		
@SVO,1,1<CR><LF>		Setting the OUT1A signal output to ON
Remarks: If [0] (OFF) is selected, a sink device may be in standby status depending on the device type.		

@GDB/@SDB		Video mute
Getting	Command	@GDB,output<CR><LF>
	Response	@GDB,output,mute(,mute···)<CR><LF>
Setting	Command	@SDB,output,mute<CR><LF>
output: Output connector 0 = All outputs 1 = OUT1A 2 = OUT2A 201 = OUT1B 202 = OUT2B		
mute: Video mute 0 = OFF 1 = ON		
Getting example		
@GDB,201<CR><LF>		Getting the OUT1B video mute
@GDB,201,1<CR><LF>		ON
Setting example		
@SDB,1,1<CR><LF>		Setting the OUT1A video mute to ON

@GEN/@SEN		HDCP authentication
Getting	Command	@GEN,output<CR><LF>
	Response	@GEN,output,hdcp(,hdcp···)<CR><LF>
Setting	Command	@SEN,output,hdcp<CR><LF>
output: Output connector 0 = All outputs 1 = OUT1A 2 = OUT2A 201 = OUT1B 202 = OUT2B Available only for HDMI/HDBaseT connector		
hdcp: HDCP authentication 0 = No HDCP authentication 1 = HDCP output only if HDCP-encrypted signal is input. 2 = HDCP 1.4 3 = HDCP 2.2		
Getting example		
@GEN,201<CR><LF>		Getting the OUT1B HDCP authentication
@GEN,201,3<CR><LF>		HDCP 2.2
Setting example		
@SEN,1,2<CR><LF>		Setting the OUT1A HDCP authentication to
		HDCP 1.4
Remarks: If 10GbE connector is specified for an output, [-2] (invalid) is returned for getting command.		

@HAU		HDCP re-encryption
Setting	Command	@HAU,output<CR><LF>
output: Output connector 1 = OUT1A 2 = OUT2A 201 = OUT1B 202 = OUT2B Available only for HDMI/HDBaseT connector		
Setting example		
@HAU,1<CR><LF>		Executing re-encrypt HDCP of OUT1A

@GCE/@SCE		CEC connection
Getting	Command	@GCE,output<CR><LF>
	Response	@GCE,output,cec(,cec···)<CR><LF>
Setting	Command	@SCE,output,cec<CR><LF>
output: Output connector 0 = All outputs 1 = OUT1A 2 = OUT2A 201 = OUT1B 202 = OUT2B Available only for HDMI/HDBaseT connector		
cec: CEC connection 0 = Not connected 1 = Input channel selected for main window 2 = IN1 3 = IN2 4 = IN3 5 = IN4 6 = IN5 7 = HDMI IN6 107 = HDBaseT IN6		
Getting example		
@GCE,1<CR><LF>		Getting the OUT1A CEC connection
@GCE,1,0<CR><LF>		Not connected
Setting example		
@SCE,1,4<CR><LF>		Setting the OUT1A CEC connection to IN3
Remarks: If 10GbE connector is specified for an output, [-2] (invalid) is returned for getting command.		

Input resolution

@GAP/@SAP		Aspect ratio
Getting	Command	@GAP,input<CR><LF>
	Response	@GAP,input,aspect(,aspect···)<CR><LF>
Setting	Command	@SAP,input,aspect<CR><LF>
input: Input channel 0 = All inputs 1 to 6 = IN1 to IN6		
aspect: Aspect ratio 0 = AUTO-1 1 = AUTO-2 2 = 4:3 3 = 14:9 4 = 16:9 5 = 14:9 LETTER BOX 6 = 16:9 LETTER BOX 7 = 4:3 SIDE PANEL 8 = 14:9 SIDE PANEL 9 = THROUGH 10 = FULL		
Getting example		
@GAP,3<CR><LF>		Getting the IN3 aspect ratio
@GAP,3,2<CR><LF>		4:3
Setting example		
@SAP,4,2<CR><LF>		Setting the IN4 aspect ratio to 4:3

@GAR/@SAR		Aspect ratio control
Getting	Command	@GAR,input<CR><LF>
	Response	@GAR,input,mode(,mode···)<CR><LF>
Setting	Command	@SAR,input,mode<CR><LF>
input: Input channel 0 = All inputs 1 to 6 = IN1 to IN6		
mode: Aspect ratio control 0 = Letter box/Side panel 1 = Side cut/Top bottom cut		
Getting example		
@GAR,3<CR><LF>		Getting the IN3 aspect ratio control
@GAR,3,1<CR><LF>		Side cut/Top bottom cut
Setting example		
@SAR,4,1<CR><LF>		Setting the IN4 aspect ratio to Side cut/Top bottom cut

@GNW/@SNW		Image position/Image size
Getting	Command	@GNW,input<CR><LF>
	Response	@GNW,input,h_position,v_position,h_size,v_size,(h_position,v_position,h_size,...)<CR><LF>
Setting	Command	@SNW,input,h_position,v_position,h_size,v_size<CR><LF>
input: Input channel 0 = All inputs 1 to 6 = IN1 to IN6		
h_position: Horizontal image position -40000 to 10000 = -400.00% to 100.00% 0 (0.00%)		
v_position: Vertical image position -40000 to 10000 = -400.00% to 100.00% 0 (0.00%)		
h_size: Horizontal image size 2000 to 40000 = 20.00% to 400.00% 10000 (100.00%)		
v_size: Vertical image size 2000 to 40000 = 20.00% to 400.00% 10000 (100.00%)		
Getting example		
@GNW,1<CR><LF> @GNW,1,-5000,2000,10000,10000<CR><LF>		Getting the IN1 image position/image size <ul style="list-style-type: none"> • Horizontal image position : -50.00% • Vertical image position : 20.00% • Horizontal/Vertical image size : 100.00%
Setting example		
@SNW,1,-5000,2000,10000,10000<CR><LF>		Setting the IN1 image position/image size as follows: <ul style="list-style-type: none"> • Horizontal image position : -50.00% • Vertical image position : 20.00% • Horizontal/Vertical image size : 100.00%

Input

@GIE/@SIE		Selecting input connector
Getting	Command	@GIE,input<CR><LF>
	Response	@GIE,input,mode<CR><LF>
Setting	Command	@SIE,input,mode<CR><LF>
input: Input channel 6 = IN6 Available only if modular input is installed.		
mode: Input connector 0 = HDMI 1 = 10GbE or HDBaseT		
Getting example		
@GIE,6<CR><LF> @GIE,6,0<CR><LF>		Getting the input connector to be used for IN6 HDMI
Setting example		
@SIE,6,0<CR><LF>		Setting the IN6 input connector to HDMI

@GHE/@SHE		HDCP input
Getting	Command	@GHE,input<CR><LF>
	Response	@GHE,input,hdcp(,hdcp···)<CR><LF>
Setting	Command	@SHE,input,hdcp<CR><LF>
input: Input channel 0 = All digital inputs 1 to 6 = IN1 to IN6 Available only for HDMI/HDBaseT connector		
hdcp: HDCP input 0 = NOT SUPPORT 1 = HDCP 1.4 SUPPORT 2 = HDCP 2.2 SUPPORT		
Getting example		
@GHE,1<CR><LF>		Getting the IN1 HDCP input
@GHE,1,2<CR><LF>		HDCP 2.2
Setting example		
@SHE,1,0<CR><LF>		Setting the IN1 HDCP input to NOT SUPPORT

Input channel automatic switching

@GAU/@SAU		Signal ON priority
Getting	Command	@GAU,output<CR><LF>
	Response	@GAU,output,priority_in1,priority_in2,priority_in3,priority_in4,priority_in5,priority_in6<CR><LF>
Setting	Command	@SAU,output,priority_in1,priority_in2,priority_in3,priority_in4,priority_in5,priority_in6<CR><LF>
output: Output channel 0 = All outputs* 1 = OUT1 main window 2 = OUT2 main window 201 = OUT1 PinP window 202 = OUT2 PinP window *Only for setting		
priority_in1-6: Signal ON priority (IN1 to IN6) 0 = OFF 1 to 6 = Priority (Highest to Lowest)		
Getting example		
@GAU,1<CR><LF>		Getting the signal ON priority of the OUT1 main window
@GAU,1,1,2,3,4,5,6<CR><LF>		<ul style="list-style-type: none"> • IN1: 1 • IN2: 2 • IN3: 3 • IN4: 4 • IN5: 5 • IN6: 6
Setting example		
@SAU,1,6,5,4,3,2,1<CR><LF>		Setting the signal ON priority of the OUT1 main window as follows: <ul style="list-style-type: none"> • IN1: 6 • IN2: 5 • IN3: 4 • IN4: 3 • IN5: 2 • IN6: 1

@GOF/@SOF		Signal OFF priority
Getting	Command	@GOF,output<CR><LF>
	Response	@GOF,output,priority_in1,priority_in2,priority_in3,priority_in4,priority_in5,priority_in6<CR><LF>
Setting	Command	@SOF,output,priority_in1,priority_in2,priority_in3,priority_in4,priority_in5,priority_in6<CR><LF>
output: Output channel 0 = All outputs* 1 = OUT1 main window 2 = OUT2 main window 201 = OUT1 PinP window 202 = OUT2 PinP window *Only for setting		
priority_in1-6: Signal OFF priority IN1 to IN6 0 = OFF 1 to 6 = Priority (Highest to Lowest)		
Getting example		
@GOF,1<CR><LF>		Getting the signal OFF priority of the OUT1 main window
@GOF,1,1,2,3,4,5,6<CR><LF>		<ul style="list-style-type: none"> • IN1: 1 • IN2: 2 • IN3: 3 • IN4: 4 • IN5: 5 • IN6: 6
Setting example		
@SOF,1,6,5,4,3,2,1<CR><LF>		Setting the signal OFF priority of the OUT1 main window as follows: <ul style="list-style-type: none"> • IN1: 6 • IN2: 5 • IN3: 4 • IN4: 3 • IN5: 2 • IN6: 1

@GAD/@SAD		Switching mode of automatic switching
Getting	Command	@GAD,output<CR><LF>
	Response	@GAD,output,mode(,mode)<CR><LF>
Setting	Command	@SAD,output,mode<CR><LF>
output: Output channel 0 = All outputs 1 = OUT1 main window 2 = OUT2 main window		
mode: Switching mode 0 = Video and Audio 1 = Video 2 = Audio		
Getting example		
@GAD,1<CR><LF>		Getting the OUT1 main window switching mode of automatic switching
@GAD,1,2<CR><LF>		Audio
Setting example		
@SAD,1,1<CR><LF>		Setting the OUT1 main window switching mode of automatic switching to video

Output audio

@GUC/@SUC		Audio output
Getting	Command	@GUC,output<CR><LF>
	Response	@GUC,output,audio(,audio···)<CR><LF>
Setting	Command	@SUC,output,audio<CR><LF>
output: Output connector 0 = All outputs 1 = OUT1A 2 = OUT2A 201 = OUT1B 202 = OUT2B		
audio: Audio output 0 = OFF 1 = ON		
Getting example		
@GUC,1<CR><LF>		Getting the OUT1A audio output
@GUC,1,1<CR><LF>		ON
Setting example		
@SUC,1,1<CR><LF>		Setting the OUT1A audio output to ON

@GAV/@SAV		Audio level
Getting	Command	@GAV,output<CR><LF>
	Response	@GAV,output,level(,level···)<CR><LF>
Setting	Command	@SAV,output,level<CR><LF>
output: Output channel 0 = All outputs 1 = OUT1 2 = OUT2 401 = ANALOG OUT1 402 = ANALOG OUT2		
level: Output audio level (dB) -100 to 10 0		
Getting example		
@GAV,1<CR><LF>		Getting the OUT1 output audio level
@GAV,1,-4<CR><LF>		-4 dB
Setting example		
@SAV,1,-4<CR><LF>		Setting the OUT1 output audio level to -4 dB
Remarks: Unmuted if changing output audio level.		

@SOL		Adjusting output audio level
Setting	Command	@SOL,output,updown<CR><LF>
output: Output channel 0 = All outputs 1 = OUT1 2 = OUT2 401 = ANALOG OUT1 402 = ANALOG OUT2		
updown: Relative value [dB] The specified value is added to the current output audio level. -110 to 110 Output audio level range: -100 dB to +10 dB		
Setting example		
@SOL,1,-1<CR><LF>		Decreasing the OUT1 output audio level by 1 dB
Remarks: <ul style="list-style-type: none"> • Unmuted if changing output audio level. • Limited to the maximum/minimum if exceeding the range. 		

@GOL		Output audio limit status
Getting	Command	@GOL,output<CR><LF>
	Response	@GOL,output,limit(,limit···)<CR><LF>
output: Output channel 0 = All outputs 1 = OUT1 2 = OUT2 401 = ANALOG OUT1 402 = ANALOG OUT2		
limit: Limit status -1 = Minimum value (-100 dB) 0 = Not reach limit value 1 = Maximum value (+10 dB)		
Getting example		
@GOL,1<CR><LF>		Getting the limit status of the OUT1 output audio level
@GOL,1,1<CR><LF>		Maximum value

@GAM/@SAM		Mute
Getting	Command	@GAM,output<CR><LF>
	Response	@GAM,output,mute(,mute···)<CR><LF>
Setting	Command	@SAM,output,mute<CR><LF>
output: Output channel 0 = All outputs 1 = OUT1 2 = OUT2 401 = ANALOG OUT1 402 = ANALOG OUT2		
mute: Audio mute 0 = OFF 1 = ON		
Getting example		
@GAM,1<CR><LF>		Getting the OUT1 audio mute
@GAM,1,1<CR><LF>		ON
Setting example		
@SAM,1,1<CR><LF>		Setting the OUT1 audio mute to ON

@GAE/@SAE		Analog audio output
Getting	Command	@GAE,output<CR><LF>
	Response	@GAE,output,select(,select)<CR><LF>
Setting	Command	@SAE,output,select<CR><LF>
output: Output channel 0 = All outputs 401 = ANALOG OUT1 402 = ANALOG OUT2		
select: Analog audio output 1 = OUT1 2 = OUT2 101 = IN1 to 106 = IN6 201 = ANALOG IN1 202 = ANALOG IN2		
Getting example		
@GAE,401<CR><LF>		Getting the analog audio output of ANALOG OUT1
@GAE,401,1<CR><LF>		OUT1
Setting example		
@SAE,401,1<CR><LF>		Setting the analog audio output of ANALOG OUT1 to OUT1

Input audio

@GAS/@SAS		Input audio
Getting	Command	@GAS,input<CR><LF>
	Response	@GAS,input,select(,select···)<CR><LF>
Setting	Command	@SAS,input,select<CR><LF>
input: Input channel 0 = All inputs 1 to 6 = IN1 to IN6		
select: Input audio 0 = DIGITAL 1 = ANALOG IN1 2 = ANALOG IN2		
Getting example		
@GAS,1<CR><LF>		Getting the IN1 input audio
@GAS,1,1<CR><LF>		ANALOG IN1
Setting example		
@SAS,3,1<CR><LF>		Setting the IN3 input audio to ANALOG IN1

@GSO/@SSO		Audio level
Getting	Command	@GSO,input<CR><LF>
	Response	@GSO,input,level(,level···)<CR><LF>
Setting	Command	@SSO,input,level<CR><LF>
input: Input channel 0 = All inputs 1 to 6 = IN1 to IN6 201 = ANALOG IN1 202 = ANALOG IN2		
level: Input audio level (dB) -100 to 10 0		
Getting example		
@GSO,4<CR><LF>		Getting the IN4 input audio level
@GSO,4,-4<CR><LF>		-4 dB
Setting example		
@SSO,4,-8<CR><LF>		Setting the IN4 input audio level to -8 dB

@SDZ		Adjusting input audio level
Setting	Command	@SDZ,input,updown<CR><LF>
input: Input channel 0 = All inputs 1 to 6 = IN1 to IN6 201 = ANALOG IN1 202 = ANALOG IN2		
updown: Relative value (dB) The specified value is added/subtracted to/from the current input audio level offset. -110 to 110 Input audio level range: -100 dB to +10 dB		
Setting example		
@SDZ,1,-1<CR><LF>		Decreasing the IN1 input audio level by 1 dB

@GDZ		Input audio limit status
Getting	Command	@GDZ,input<CR><LF>
	Response	@GDZ,input,limit(limit···)<CR><LF>
input: Input channel 0 = All inputs 1 to 6 = IN1 to IN6 201 = ANALOG IN1 202 = ANALOG IN2		
limit: Limit status of input audio level -1 = Minimum value (-100 dB) 0 = Not reach limit value 1 = Maximum value (+10 dB)		
Getting example		
@GDZ,1<CR><LF>		Getting the limit status of the IN1 input audio level
@GDZ,1,1<CR><LF>		Maximum value

@GAW/@SAW		Stable wait (Audio signal)
Getting	Command	@GAW,input<CR><LF>
	Response	@GAW,input,wait(,wait···)<CR><LF>
Setting	Command	@SAW,input,wait<CR><LF>
input: Input channel 0 = All inputs 1 to 6 = IN1 to IN6		
wait: Stable wait (Audio signal) 0 = OFF 1 = ON		
Getting example		
@GAW,1<CR><LF>		Getting the IN1 stable wait (Audio signal)
@GAW,1,1<CR><LF>		ON
Setting example		
@SAW,1,0<CR><LF>		Disabling the IN1 stable wait (Audio signal)

EDID

@GED/@SED		EDID selection
Getting	Command	@GED,input<CR><LF>
	Response	@GED,input,edid(edid···)<CR><LF>
Setting	Command	@SED,input,edid<CR><LF>
input: Input channel 0 = All inputs 1 to 6 = IN1 to IN6 Available only for HDMI/HDBaseT connector		
edid: EDID 0 = BUILT-IN EDID 1 = EXTERNAL EDID OUT1A 2 = EXTERNAL EDID OUT2A 201 = EXTERNAL EDID OUT1B ^{*1} 202 = EXTERNAL EDID OUT2B ^{*1} 401 to 408 = COPY DATA 1 to COPY DATA 8 ^{*2} ^{*1} Available only for HDBaseT connector ^{*2} Available only if valid data is saved.		
Getting example		
@GED,1<CR><LF>		Getting the IN1 EDID selection
@GED,1,0<CR><LF>		BUILT-IN EDID
Setting example		
@SED,2,401<CR><LF>		Setting the IN2 EDID selection to COPY DATA 1

@GVF/@SVF		Resolution
Getting	Command	@GVF,input<CR><LF>
	Response	@GVF,input,resolution(,resolution...)<CR><LF>
Setting	Command	@SVF,input,resolution<CR><LF>
input: Input channel 0 = All inputs 1 to 6 = IN1 to IN6 Available only for HDMI/HDBaseT connector		
resolution 0 = 800x600 (SVGA) 1 = 1024x768 (XGA) 2 = 1280x720 (VESA720) 3 = 720p 4 = 1280x768 (WXGA) 5 = 1280x800 (WXGA) 6 = 1280x960 (QuadVGA) 7 = 1280x1024 (SXGA) 8 = 1360x768 (WXGA) 9 = 1366x768 (WXGA) 10 = 1400x1050 (SXGA+) 11 = 1440x900 (WXGA+) 12 = 1600x900 (WXGA++) 13 = 1600x1200 (UXGA) 14 = 1680x1050 (WSXGA+) 15 = 1080i 16 = 1920x1080 (VESA1080) 17 = 1080p 18 = 1920x1200 (WUXGA) 19 = 2048x1152 (QWXGA) 20 = 2560x1440 (WQHD) 21 = 2560x1600 (WQXGA) 40 = 3840x2160 30Hz 41 = 3840x2160 60Hz 4:2:0 42 = 3840x2160 60Hz 4:4:4 44 = 4096x2160 60Hz 4:2:0 45 = 4096x2160 60Hz 4:4:4		
Getting example		
@GVF,3<CR><LF>		Getting the IN3 resolution
@GVF,3,9<CR><LF>		1366x768
Setting example		
@SVF,1,12<CR><LF>		Setting the IN1 resolution to 1600x900
Remarks: Available only if [0] (BUILT-IN EDID) is selected for “@GED/@SED EDID selection (P.25)”.		

RS-232C

@GCT/@SCT		Communication setting
Getting	Command	@GCT,port<CR><LF>
	Response	@GCT,port,baudrate,length,parity,stop<CR><LF>
Setting	Command	@SCT,port,baudrate,length,parity,stop<CR><LF>
port: Connector 1 = RS-232C 101 = OUT1B 102 = OUT2B 206 = IN6B		
baudrate: Baud rate 0 = 4800 bps 1 = 9600 bps 2 = 14400 bps 3 = 19200 bps 4 = 38400 bps 5 = 57600 bps 6 = 115200 bps		
length: Data bit length 0 = 7 bit 1 = 8 bit		
parity: Parity check 0 = NONE 1 = ODD 2 = EVEN		
stop: Stop bit 0 = 1 bit 1 = 2 bit		
Getting example		
@GCT,1<CR><LF> @GCT,1,3,1,0,0<CR><LF>		Getting the RS-232C communication settings <ul style="list-style-type: none"> ▪ Baud rate : 19200 bps ▪ Data bit length: 8 bit ▪ Parity check : NONE ▪ Stop bit : 1 bit
Setting example		
@SCT,1,3,1,0,0<CR><LF>		Setting the RS-232C communication as follows: <ul style="list-style-type: none"> ▪ Baud rate : 19200 bps ▪ Data bit length: 8 bit ▪ Parity check : NONE ▪ Stop bit : 1 bit

@GCF/@SCF		Operation mode
Getting	Command	@GCF,port<CR><LF>
	Response	@GCF,port,mode(,mode···)<CR><LF>
Setting	Command	@SCF,port,mode<CR><LF>
port: Connector 0 = All connectors 1 = RS-232C 101 = OUT1B 102 = OUT2B 206 = IN6B		
mode: Operation mode 0 = RECEIVER mode 1 = TRANSMITTER mode RS-232C = RECEIVER mode OUT1B = TRANSMITTER mode OUT2B = TRANSMITTER mode IN6B = RECEIVER mode		
Getting example		
@GCF,1<CR><LF> @GCF,1,1<CR><LF>		Getting the RS-232C operation mode TRANSMITTER mode
Setting example		
@SCF,1,1<CR><LF>		Setting the RS-232C operation mode to TRANSMITTER mode
Remarks: To control the MSD-V6 from control devices, set this menu to RECEIVER mode. To control external devices from the MSD-V6, set this menu to TRANSMITTER mode.		

LAN

@GIP/@SIP		IP address
Getting	Command	@GIP<CR><LF>
	Response	@GIP,unit_1,unit_2,unit_3,unit_4<CR><LF>
Setting	Command	@SIP,unit_1,unit_2,unit_3,unit_4<CR><LF>
unit_1 to unit_4 = Upper bit of the IP address to Lower bit of the IP address 0 to 255 192.168.1.199		
Getting example		
@GIP<CR><LF>		Getting the IP address
@GIP,192,168,3,2<CR><LF>		192.168.3.2
Setting example		
@SIP,192,168,3,2<CR><LF>		Setting the IP address to 192.168.3.2

@GSB/@SSB		Subnet mask
Getting	Command	@GSB<CR><LF>
	Response	@GSB,unit_1,unit_2,unit_3,unit_4<CR><LF>
Setting	Command	@SSB,unit_1,unit_2,unit_3,unit_4<CR><LF>
unit_1 to unit_4 = Upper bit of the subnet mask to Lower bit of the subnet mask 0 to 255 255.255.255.0		
Getting example		
@GSB<CR><LF>		Getting the subnet mask
@GSB,255,255,192,0<CR><LF>		255.255.192.0
Setting example		
@SSB,255,255,192,0<CR><LF>		Setting the subnet mask to 255.255.192.0

@GGW/@SGW		Gateway address
Getting	Command	@GGW<CR><LF>
	Response	@GGW,unit_1,unit_2,unit_3,unit_4<CR><LF>
Setting	Command	@SGW,unit_1,unit_2,unit_3,unit_4<CR><LF>
unit_1 to unit_4 = Upper bit of the gateway address to Lower bit of the gateway address 0 to 255 192.168.1.200		
Getting example		
@GGW<CR><LF>		Getting the gateway address
@GGW,192,168,1,254<CR><LF>		192.168.1.254
Setting example		
@SGW,192,168,1,254<CR><LF>		Setting the gateway address to 192.168.1.254

@GMC		MAC address
Getting	Command	@GMC<CR><LF>
	Response	@GMC,unit_1,unit_2,unit_3,unit_4,unit_5,unit_6<CR><LF>
unit_1 to unit_6 = Upper bit of the MAC address to Lower bit of the MAC address 00 to FF in hex		
Getting example		
@GMC<CR><LF>		Getting the MAC address
@GMC,00,08,E5,00,00,00<CR><LF>		00-08-E5-00-00-00

@GLG/@SLG		Control command destination
Getting	Command	@GLG,destination<CR><LF>
	Response	@GLG,destination,ip_1,ip_2,ip_3,ip_4,pjlink,(tcp,password)<CR><LF>
Setting	Command	@SLG,destination,ip_1,ip_2,ip_3,ip_4,pjlink,(tcp,password)<CR><LF>
destination: Destination number 1 to 12 = Destination 1 to 12		
ip_1 to ip_4 = Upper bit of the destination IP address to Lower bit of the destination IP address 0 to 255 192.168.1.198		
pjlink: PJLink protocol connection 0 = PJLink note used 1 = PJLink used		
tcp: Destination port number 1 to 65535 1100 Available only if [0] (PJLink not used) is set to pjlink .		
password: Password of PJLink protocol ASCII 20, 30 to 39, 41 to 5A, 61 to 7A (Up to 32 characters) All 20 (Space) = No password <ul style="list-style-type: none"> • Available only in TRANSMITTER mode and pjlink is set to [1] (PJLink used). • For getting: Returned only if the password is set. • For setting: You can skip this password setting if you do not use password authentication for PJLink protocol connection. 		
Getting example		
@GLG,3<CR><LF> @GLG,3,192,168,1,2,1, PROJECTOR1<CR><LF>		Getting Destination 3 <ul style="list-style-type: none"> • The destination IP address : 192.168.1.2 • PJLink : To be used • Password : PROJECTOR1
Setting example		
@SLG,3,192,168,1,2,1<CR><LF>		Setting Destination 3 as follows: <ul style="list-style-type: none"> • The destination IP address : 192.168.1.2 • PJLink : To be used • Password : Disabling password authentication

@GLD/@SLD		Automatic disconnection time (Timeout)
Getting	Command	@GLD,service<CR><LF>
	Response	@GLD,service,time<CR><LF>
Setting	Command	@SLD,service,time<CR><LF>
service: Network service 1 = SERVER (Receiving commands) 2 = CLIENT (Sending commands)		
time: Automatic disconnection time 0 = NOT DISCONNECT 1 to 180 = 1 sec. to 180 sec. SERVER = 30 sec. CLIENT = 3 sec.		
Getting example		
@GLD,1<CR><LF> @GLD,1,120<CR><LF>		Getting the automatic disconnection time of SERVER 120 sec.
Setting example		
@SLD,1,100<CR><LF>		Setting the automatic disconnection time of SERVER to 100 sec.

Control commands

@GEC/@SEC		Registering/Editing control command (Communication command)						
Getting	Command	@GEC,cmd<CR><LF>						
	Response	@GEC,cmd,delay,port,memo,length,command,timeout,retry,interval,retryover,display(,recv_1,recv_2···)<CR><LF>						
Setting	Command	@SEC,cmd,delay,port,memo,length,command,timeout,retry,interval,retryover,display(,recv_1,recv_2···)<CR><LF>						
cmd: Control command number 1 to 64								
delay: Delay time 0 to 999999 = 0 sec. to 999.999 sec.								
port: Output port 1 to 16773427								
bit	7	6	5	4	3	2	1	0
port	reserve	reserve	RS-232C OUT2B	RS-232C OUT1B	reserve	reserve	RS-232C	LOOP BACK
bit	15	14	13	12	11	10	9	8
port	LAN 4	LAN 3	LAN 2	LAN 1	reserve	reserve	reserve	RS-232C IN6B
bit	23	22	21	20	19	18	17	16
port	LAN 12	LAN 11	LAN 10	LAN 9	LAN 8	LAN 7	LAN 6	LAN 5
Set [1] for the bit of the output port to send a command. The setting value is converted from binary to decimal. (Since 12 bit to 15 bit are not used, they are always [0]).								
Example, if you want to send a command from RS-232C: [2] (0000000000000000000010 in binary) if sending a command from LAN1: [4096] (000000000001000000000000 in binary)								
memo: Memo Up to 14 characters from 20 to 7D of ASCII code except for 2C (,)								
length: Data size of send command (The number of bytes) 0 ~ 30								
command: Send command data (ASCII code) Specify length x2 digits with 0 to 9, A to F, a to f: (4 bit per digit in hex)								
timeout: Time-out duration 0 to 99999 = 0 sec. to 99.999 sec.								
retry: The number of retries 0 to 99								
interval: Retry interval 0 to 99999 = 0 sec. to 99.999 sec.								
retryover: Processing at retry over 0 = Stop processing 1 = Executing the next control command								
display: Displaying received data 0 = Not displayed								

@GEC/@SEC	Registering/Editing control command (Communication command) (Cont'd)
<p>recv_1-32: Presence or absence of reply command check 1 to 32</p> <ul style="list-style-type: none"> ▪ For getting: Reply command numbers are separated from each other by a comma. ▪ For setting: The reply command number to be checked can be specified. Up to 32 commands can be specified by separating them by a comma. Register reply commands in "@GRC/@SRC Registering/Editing reply command (P.36)". 	
Getting example	
<pre>@GEC,1<CR><LF> @GEC,1,10,2,POWER,7,5057204F4E0D0A,1000, 2,500,0,0,1,2<CR><LF></pre>	<p>Getting the settings registered in Control command number 1</p> <ul style="list-style-type: none"> ▪ Delay time : 10 ms. ▪ Output port : RS-232C ▪ Memo : POWER ▪ Data size : 7 bytes ▪ Command data : PW ON<CR><LF> ▪ Time-out duration : 1000 ms. ▪ The number of retries : 2 times ▪ Retry interval : 500 ms. ▪ Retry over : Stop ▪ Received data : Not displayed ▪ Reply command : Check 1 and 2
Setting example	
<pre>@SEC,2,0,1,IN1 SELECT,10, 405353572C312C310D0A,0,0,0,1,0<CR><LF></pre>	<p>Setting Control command number 2 as follows:</p> <ul style="list-style-type: none"> ▪ Delay time : 0 ms. ▪ Output port : LOOP BACK ▪ Memo : IN1 SELECT ▪ Data size : 10 bytes ▪ Command data : @SSW,1,1<CR><LF> ▪ Time-out duration : 0 ms. ▪ The number of retries : 0 time ▪ Retry interval : 0 ms. ▪ Retry over : Execute ▪ Received data : Not displayed ▪ Reply command : Not check

@GEC/@SEC		Registering/Editing control command (Displaying received data)																		
Getting	Command	@GEC,cmd<CR><LF>																		
	Response	@GEC,cmd,delay,port,memo,length,command,timeout,retry,interval,retryover,display,delimiter<CR><LF>																		
Setting	Command	@SEC,cmd,delay,port,memo,length,command,timeout,retry,interval,retryover,display,delimiter<CR><LF>																		
cmd: Control command number 1 to 64																				
delay: Delay time 0 to 999999 = 0 sec. to 999.999 sec.																				
port: Output port 1 to 16773171																				
<table border="1"> <thead> <tr> <th>bit</th> <th>7</th> <th>6</th> <th>5</th> <th>4</th> <th>3</th> <th>2</th> <th>1</th> <th>0</th> </tr> </thead> <tbody> <tr> <td>port</td> <td>reserve</td> <td>reserve</td> <td>RS-232C OUT2B</td> <td>RS-232C OUT1B</td> <td>reserve</td> <td>reserve</td> <td>RS-232C</td> <td>LOOP BACK</td> </tr> </tbody> </table>			bit	7	6	5	4	3	2	1	0	port	reserve	reserve	RS-232C OUT2B	RS-232C OUT1B	reserve	reserve	RS-232C	LOOP BACK
bit	7	6	5	4	3	2	1	0												
port	reserve	reserve	RS-232C OUT2B	RS-232C OUT1B	reserve	reserve	RS-232C	LOOP BACK												
<table border="1"> <thead> <tr> <th>bit</th> <th>15</th> <th>14</th> <th>13</th> <th>12</th> <th>11</th> <th>10</th> <th>9</th> <th>8</th> </tr> </thead> <tbody> <tr> <td>port</td> <td>LAN 4</td> <td>LAN 3</td> <td>LAN 2</td> <td>LAN 1</td> <td>reserve</td> <td>reserve</td> <td>reserve</td> <td>RS-232C IN6B</td> </tr> </tbody> </table>			bit	15	14	13	12	11	10	9	8	port	LAN 4	LAN 3	LAN 2	LAN 1	reserve	reserve	reserve	RS-232C IN6B
bit	15	14	13	12	11	10	9	8												
port	LAN 4	LAN 3	LAN 2	LAN 1	reserve	reserve	reserve	RS-232C IN6B												
<table border="1"> <thead> <tr> <th>bit</th> <th>23</th> <th>22</th> <th>21</th> <th>20</th> <th>19</th> <th>18</th> <th>17</th> <th>16</th> </tr> </thead> <tbody> <tr> <td>port</td> <td>LAN 12</td> <td>LAN 11</td> <td>LAN 10</td> <td>LAN 9</td> <td>LAN 8</td> <td>LAN 7</td> <td>LAN 6</td> <td>LAN 5</td> </tr> </tbody> </table>			bit	23	22	21	20	19	18	17	16	port	LAN 12	LAN 11	LAN 10	LAN 9	LAN 8	LAN 7	LAN 6	LAN 5
bit	23	22	21	20	19	18	17	16												
port	LAN 12	LAN 11	LAN 10	LAN 9	LAN 8	LAN 7	LAN 6	LAN 5												
Set [1] for the bit of the output port to send a command. The setting value is converted from binary to decimal. (Since 12 bit to 15 bit are not used, they are always [0]).																				
Example, if you want to send a command from RS-232C: [2] (0000000000000000000010 in binary) if sending a command from LAN1: [4096] (000000000001000000000000 in binary)																				
memo: Memo Up to 14 characters from 20 to 7D of ASCII code except for 2C (,)																				
length: Data size of send command (The number of bytes) 0 to 30																				
command: Send command data (ASCII code) Specify length x2 digits with 0 to 9, A to F, a to f: (4 bit per digit in hex)																				
timeout: Time-out duration 0 to 99999 = 0 sec. to 99.999 sec.																				
retry: The number of retries 0 to 99																				
interval: Retry interval 0 to 99999 = 0 sec. to 99.999 sec.																				
retryover: Processing at retry over 0 = Stop processing 1 = Executing the next control command																				
display: Displaying received data 1 = In ASCII 2 = In hex																				
delimiter: Delimiter 2 digits of 0 to 9, A to F, a to f = 4 bit per digit in hex for monitoring delimiter 100 = Not monitor																				

@GEC/@SEC	Registering/Editing control command (Displaying received data) (Cont'd)
<p>Getting example</p> <pre>@GEC,3<CR><LF> @GEC,3,0,4096,POWER STATUS,9, 47455420504F570D0A,2000,2,200,0,1,0D <CR><LF></pre>	<p>Getting the settings registered in Control command number 3</p> <ul style="list-style-type: none"> ▪ Delay time : 0 ms. ▪ Output port : LAN1 ▪ Memo : POWER STATUS ▪ Data size : 9 bytes ▪ Command data : GET POW<CR><LF> ▪ Time-out duration : 2000 ms. ▪ The number of retries : 2 times ▪ Retry interval : 200 ms. ▪ Retry over : Stop ▪ Received data : In ASCII ▪ Delimiter : 0D in hex
<p>Setting example</p> <pre>@SEC,3,0,4096,POWER STATUS,9, 47455420504F570D0A,2000,2,200,0,1,0D <CR><LF></pre>	<p>Setting Control command number 3 as follows:</p> <ul style="list-style-type: none"> ▪ Delay time : 0 ms. ▪ Output port : LAN1 ▪ Memo : POWER STATUS ▪ Data size : 9 bytes ▪ Command data : GET POW<CR><LF> ▪ Time-out duration : 2000 ms. ▪ The number of retries : 2 times ▪ Retry interval : 200 ms. ▪ Retry over : Stop ▪ Received data : In ASCII ▪ Delimiter : 0D in hex

@GEC/@SEC		Registering/Editing control command (Contact closure)																											
Getting	Command	@GEC,cmd<CR><LF>																											
	Response	@GEC,cmd,delay,port,memo,ccno,cc,pulse(,ccno,cc,pulse...)<CR><LF>																											
Setting	Command	@SEC,cmd,delay,port,memo,ccno,cc,pulse(,ccno,cc,pulse...)<CR><LF>																											
cmd: Control command number 1 to 64																													
delay: Delay time 0 to 999999 = 0 sec. to 999.999 sec.																													
port: Contact closure number 16777216 for contact closure control																													
memo: Memo Up to 14 characters from 20 to 7D of ASCII code except for 2C (,)																													
ccno: Contact closure channel																													
	ccno	<table border="1"> <thead> <tr> <th>1</th> <th>2</th> <th>3</th> <th>4</th> <th>5</th> <th>6</th> <th>7</th> <th>8</th> <th>9</th> </tr> </thead> <tbody> <tr> <td colspan="3">CONTACT CLOSURE 1</td> <td colspan="3">CONTACT CLOSURE 2</td> <td>—</td> <td>—</td> <td>—</td> </tr> <tr> <td>CH1</td> <td>CH2</td> <td>CH3</td> <td>CH1</td> <td>CH2</td> <td>CH3</td> <td>—</td> <td>—</td> <td>—</td> </tr> </tbody> </table>	1	2	3	4	5	6	7	8	9	CONTACT CLOSURE 1			CONTACT CLOSURE 2			—	—	—	CH1	CH2	CH3	CH1	CH2	CH3	—	—	—
1	2	3	4	5	6	7	8	9																					
CONTACT CLOSURE 1			CONTACT CLOSURE 2			—	—	—																					
CH1	CH2	CH3	CH1	CH2	CH3	—	—	—																					
<ul style="list-style-type: none"> • For getting: Only contact closure channels to be used for controlling is returned. • For setting: Specify only contact closure channels that are used for controlling. 																													
cc: Contact closure control 0 = OFF 1 = ON 2 = Toggle 3 = Not control																													
pulse: Pulse width 0 = Hold 100 to 9990 = 100 ms. to 9990 ms. (By 10 ms.) Pulse width after the completion of contact closure.																													
Getting example																													
@GEC,7<CR><LF>		Getting the settings registered in Control command number 7																											
@GEC,7,20,16777216,SCREEN UP,1,1,100<CR><LF>		<ul style="list-style-type: none"> • Delay time : 20 ms. • Memo : SCREEN UP • CH1 Contact closure 1: ON for 100 ms. • Other contact closures: Not control 																											
Setting example																													
@SEC,6,50,16777216,PROJECTOR ON,1,0,200,2,1,0<CR><LF>		Setting Control command number 6 as follows:																											
		<ul style="list-style-type: none"> • Delay time : 50 ms. • Memo : PROJECTOR ON • CH1 Contact closure 1: OFF for 200 ms. • CH2 Contact closure 1: ON • Other contact closures: Not control 																											

@GEC/@SEC		Registering/Editing control command (CEC)
Getting	Command	@GEC,cmd<CR><LF>
	Response	@GEC,cmd,delay,port,memo,error,output,cec(,output,cec···)<CR><LF>
Setting	Command	@SEC,cmd,delay,port,memo,error,output,cec(,output,cec···)<CR><LF>
cmd: Control command number 1 to 64		
delay: Delay time 0 to 999999 = 0 sec. to 999.999 sec.		
port: CEC control 33554432 for CEC control		
memo: Memo Up to 14 characters from 20 to 7D of ASCII code except for 2C (,)		
error: Processing if no response from sink device. 0 = Stop processing 1 = Executing the next control command		
output: Output connector 1 = OUT1A 2 = OUT2A 201 = OUT1B 202 = OUT2B Available only for HDMI/HDBaseT connector <ul style="list-style-type: none"> ▪ For getting: Only output connectors to be used for controlling. ▪ For setting: Specify only output connectors that are used for controlling. 		
cec: Control command 0 = Not control 1 = POWER OFF 2 = POWER ON		
Getting example		
@GEC,7<CR><LF>		Getting the settings registered in Control command number 7
@GEC,7,0,33554432,DISPLAY1 ON,0,1,2<CR><LF>		<ul style="list-style-type: none"> ▪ Delay time : 0 ms ▪ Memo : DISPLAY1 ON ▪ Error : Stop ▪ OUT1A sink device : Turning ON ▪ Other output connectors: Not control
Setting example		
@SEC,7,0,33554432,DISPLAY1 ON,0,1,2<CR><LF>		Setting Control command number 7 as follows: <ul style="list-style-type: none"> ▪ Delay time : 0 ms ▪ Memo : DISPLAY1 ON ▪ Error : Stop ▪ OUT1A sink device : Turning ON ▪ Other output connectors: Not control

@GRC/@SRC		Registering/Editing reply command
Getting	Command	@GRC,reply<CR><LF>
	Response	@GRC,reply,process,length,command,mask,memo<CR><LF>
Setting	Command	@SRC,reply,process,length,command,mask,memo<CR><LF>
reply: Reply command number 1 to 32		
process: Process 0 = Stop processing 1 = Continue processing 2 = Resending commands		
length: Reply command data size (Bytes) 0 to 30		
command: Reply command data Specify length x2 digits with 0 to 9, A to F, a to f: (4 bit per digit in hexadecimal)		
mask: Mask data Specify length x2 digits with 0 to 9, A to F, a to f: (4 bit per digit in hexadecimal)		
memo: Memo Up to 14 characters from 20 to 7D of ASCII code except for 2C (,)		
Getting example		
<pre>@GRC,2<CR><LF> @GRC,2,0,1,40,40,NG<CR><LF></pre>		Getting the settings registered in Reply command number 2 <ul style="list-style-type: none"> ▪ Processing : Stop ▪ Data size : 1 byte ▪ Command data : 40 in hex ▪ Mask data : 40 (Checking the second bit from the top) ▪ Memo : NG
Setting example		
<pre>@SRC,1,1,9,52454356204F4B0D0A, FFFFFFFFFFFFFFFF,OK<CR><LF></pre>		Setting Reply command number 1 as follows: <ul style="list-style-type: none"> ▪ Processing : Continue ▪ Data size : 9 bytes ▪ Command data : RECV OK<CR><LF> ▪ Mask data : ALL: FF (Checking all bits) ▪ Memo : OK

@GCC/@SCC		Command link
Getting	Command	@GCC,event<CR><LF>
	Response	@GCC,event,c_1(c_2,c_3···)<CR><LF>
Setting	Command	@SCC,event,c_1(c_2,c_3···)<CR><LF>
event: Control command execution condition For settable values, see the “ Control command execution condition ” below.		
c_1-10: Send command 0 = Not link 1 to 64 = Control command 1 to 64		
Getting example		
@GCC,30<CR><LF> @GCC,30,5,2,1<CR><LF>		Getting control commands that will be executed when the MSD-V6 is powered on Executing in order of Control command 5, 2, and 1
Setting example		
@SCC,30,5,2,1<CR><LF>		Executing in order of Control command 5, 2, and 1 when the MSD-V6 is powered on
Remarks: Control commands that are registered in one of the following commands can be linked. <ul style="list-style-type: none"> ▪ @GEC/@SEC Registering/Editing control command (Communication command) (P.30) ▪ @GEC/@SEC Registering/Editing control command (Displaying received data) (P.32) ▪ @GEC/@SEC Registering/Editing control command (Contact closure) (P.34) ▪ @GEC/@SEC Registering/Editing control command (CEC) (P.35) 		

Control command execution condition

event	Execution condition	event	Execution condition
1	COMMAND F1-PLANE A	40	VIDEO:MAIN1-OFF
2	COMMAND F1-PLANE B	41	VIDEO:MAIN1-IN1
3	COMMAND F2-PLANE A	42	VIDEO:MAIN1-IN2
4	COMMAND F2-PLANE B	43	VIDEO:MAIN1-IN3
5	COMMAND F3-PLANE A	44	VIDEO:MAIN1-IN4
6	COMMAND F3-PLANE B	45	VIDEO:MAIN1-IN5
7	COMMAND F4-PLANE A	46	VIDEO:MAIN1-IN6
8	COMMAND F4-PLANE B	47	
9	COMMAND F5-PLANE A	48	
10	COMMAND F5-PLANE B	49	
11	COMMAND F6-PLANE A	50	AUDIO:MAIN1-OFF
12	COMMAND F6-PLANE B	51	AUDIO:MAIN1-IN1
13	COMMAND F7-PLANE A	52	AUDIO:MAIN1-IN2
14	COMMAND F7-PLANE B	53	AUDIO:MAIN1-IN3
15	COMMAND F8-PLANE A	54	AUDIO:MAIN1-IN4
16	COMMAND F8-PLANE B	55	AUDIO:MAIN1-IN5
17	COMMAND F9-PLANE A	56	AUDIO:MAIN1-IN6
18	COMMAND F9-PLANE B	57	
19	COMMAND FN1-PLANE A	58	
20	COMMAND FN1-PLANE B	59	
21	COMMAND FN2-PLANE A	60	VIDEO:MAIN2-OFF
22	COMMAND FN2-PLANE B	61	VIDEO:MAIN2-IN1
23		62	VIDEO:MAIN2-IN2
24		63	VIDEO:MAIN2-IN3
25		64	VIDEO:MAIN2-IN4
26		65	VIDEO:MAIN2-IN5
27		66	VIDEO:MAIN2-IN6
28		67	
29		68	
30	POWER ON	69	
31	STANDBY	70	AUDIO:MAIN2-OFF
32		71	AUDIO:MAIN2-IN1
33		72	AUDIO:MAIN2-IN2
34		73	AUDIO:MAIN2-IN3
35		74	AUDIO:MAIN2-IN4
36		75	AUDIO:MAIN2-IN5
37		76	AUDIO:MAIN2-IN6
38		77	
39		78	

@EXC		Command execution
Setting	Command	@EXC,command_1(,command_2···command_5)<CR><LF>
command_1-5: Control command 1 to 64 = Control command 1 to 64 A to I = F1 button to F9 button* J to K = FN1 button to FN2 button* *Can be set only if [0] (COMMAND) or [1] (DISPLAY POWER) is selected for “@GFA/@SFA Function button assignment (P.45)”		
Setting example1		
@EXC,1,2,3<CR><LF>		Executing control command in order of 1→2→3
Setting example2		
@EXC,6<CR><LF>		Executing Control command 6
@EXC,6,REPLY:POWER OFF<CR><LF>		If a command for displaying received data is executed, the received result will be displayed.
Remarks: It may take some time to return a reply command.		

@DEC		Initializing registered command data/function or link
Setting	Command	@DEC,no<CR><LF>
no: Commands or links you want to initialize 1 to 64 = Control command 1 to 64 101 to 132 = Reply command 1 to 32 201 to 276 = Control command association 1 to 76 【@GCC/@SCC Command link (P.37)】		
Setting example		
@DEC,230<CR><LF>		Deleting the POWER ON link

User preset

@SCM		Saving crosspoint memory
Setting	Command	@SCM,xpoint(,name)<CR><LF>
xpoint: Crosspoint memory number 1 to 9		
name: Crosspoint memory name Up to 10 characters from 20 to 7D from ASCII code Default: All 20 (Space) You can skip this parameter (name).		
Setting example		
@SCM,2<CR><LF>		Saving the current video/audio input channels in Crosspoint memory 2 without changing memory name

@SCV		Saving crosspoint memory (Setting video input channel)
Setting	Command	@SCV,xpoint(,name)<CR><LF>
xpoint: Crosspoint memory number 1 to 9		
name: Crosspoint memory name Up to 10 characters from 20 to 7D from ASCII code Default: All 20 (Space) You can skip this parameter (name).		
Setting example		
@SCV,2<CR><LF>		Saving the current video input channel in Crosspoint memory 2 without changing memory name

@SCA		Saving crosspoint memory (Setting audio input channel)
Setting	Command	@SCA,xpoint(,name)<CR><LF>
xpoint: Crosspoint memory number 1 to 9		
name: Crosspoint memory name Up to 10 characters from 20 to 7D from ASCII code Default: All 20 (Space) You can skip this parameter (name).		
Setting example		
@SCA,2<CR><LF>		Saving the current audio input channel in Crosspoint memory 2 without changing memory name

@GCM/@ECM		Editing crosspoint memory
Getting	Command	@GCM,xpoint<CR><LF>
	Response	@GCM,xpoint,video_main_1,audio_main_1,video_pinp_1,video_main_2, audio_main_2,video_pinp_2,name<CR><LF>
Setting	Command	@ECM,xpoint,video_main_1,audio_main_1,video_pinp_1,video_main_2, audio_main_2,video_pinp_2<CR><LF>
<p>xpoint: Crosspoint memory number 1 to 9</p>		
<p>video_main_1-2: Video input channel of the OUT1/OUT2 main window audio_main_1-2: OUT1/OUT2 audio input channel video_pinp_1-2 : Video input channel of the OUT1/OUT2 PinP window -1 = Not control 0 = OFF 1 to 6 = IN1 to IN6</p>		
<p>name: Crosspoint memory name Up to 10 characters from 20 to 7D from ASCII code Default: All 20 (Space) You can skip this parameter (name).</p>		
Getting example		
<pre>@GCM,2<CR><LF> @GCM,2,3,3,0,4,4,0,PATTERN2 <CR><LF></pre>		<p>Getting the video/audio input channel of Crosspoint memory 2</p> <ul style="list-style-type: none"> ▪ Video input channel of the OUT1 main window : IN3 ▪ OUT1 audio input channel : IN3 ▪ Video input channel of the OUT1 PinP window : OFF ▪ Video input channel of the OUT2 main window : IN4 ▪ OUT2 audio input channel : IN4 ▪ Video input channel of the OUT2 PinP window : OFF ▪ Crosspoint memory name : PATTERN2
Setting example		
<pre>@ECM,2,-1,-1,-1,-1,-1,-1<CR><LF></pre>		<p>Setting Crosspoint memory 2 OUT1/OUT2 main window/PinP window of input channel to not control</p>

@GCV/@ECV		Editing crosspoint memory (Setting video input channel)
Getting	Command	@GCV,xpoint<CR><LF>
	Response	@GCV,xpoint,video_main_1,video_pinp_1,video_main_2,video_pinp_2,name<CR><LF>
Setting	Command	@ECV,xpoint,video_main_1,video_pinp_1,video_main_2,video_pinp_2<CR><LF>
<p>xpoint: Crosspoint memory number 1 to 9</p>		
<p>video_main_1-2: Video input channel of the OUT1/OUT2 main window video_pinp_1-2 : Video input channel of the OUT1/OUT2 PinP window -1 = Not control 0 = OFF 1 to 6 = IN1 to IN6</p>		
<p>name: Crosspoint memory name Up to 10 characters from 20 to 7D from ASCII code Default: All 20 (Space) You can skip this parameter (name).</p>		
Getting example		
<pre>@GCV,2<CR><LF> @GCV,2,3,4,-1,1,PATTERN2 <CR><LF></pre>		<p>Getting the video input channel of Crosspoint memory 2</p> <ul style="list-style-type: none"> • Video input channel of the OUT1 main window : IN3 • Video input channel of the OUT1 PinP window : IN4 • Video input channel of the OUT2 main window : Not control • Video input channel of the OUT2 PinP window : IN1 • Crosspoint memory name : PATTERN2
Setting example		
<pre>@ECV,2,-1,-1,-1,-1<CR><LF></pre>		<p>Setting Crosspoint memory 2 OUT1/OUT2 main window/PinP window of video input channel to not control</p>

@GCA/@ECA		Editing crosspoint memory (Setting audio input channel)
Getting	Command	@GCA,xpoint<CR><LF>
	Response	@GCA,xpoint,audio_main_1,audio_main_2,name<CR><LF>
Setting	Command	@ECA,xpoint,audio_main_1,audio_main_2<CR><LF>
<p>xpoint: Crosspoint memory number 1 to 9</p>		
<p>audio_main_1-2: OUT1/OUT2 audio input channel -1 = Not control 0 = OFF 1 to 6 = IN1 to IN6</p>		
<p>name: Crosspoint memory name Up to 10 characters from 20 to 7D from ASCII code Default: All 20 (Space) You can skip this parameter (name).</p>		
Getting example		
<pre>@GCA,2<CR><LF> @GCA,2,3,4,PATTERN2<CR><LF></pre>		<p>Getting the audio input channel of Crosspoint memory 2</p> <ul style="list-style-type: none"> • OUT1 audio input channel : IN3 • OUT2 audio input channel : IN4 • Crosspoint memory name : PATTERN2
Setting example		
<pre>@ECA,2,1,1<CR><LF></pre>		<p>Setting the OUT1/OUT2 audio input channel of Crosspoint memory 2 to IN1</p>

@RCM		Recalling crosspoint memory
Setting	Command	@RCM,xpoint<CR><LF>
xpoint: Crosspoint memory number 1 to 9		
Setting example		
@RCM,1<CR><LF>		Recalling the video/audio input channel of Crosspoint memory 1

@RCV		Recalling crosspoint memory (Setting video input channel)
Setting	Command	@RCV,xpoint<CR><LF>
xpoint: Crosspoint memory number 1 to 9		
Setting example		
@RCV,1<CR><LF>		Recalling the video input channel of Crosspoint memory 1

@RCA		Recalling crosspoint memory (Setting audio input channel)
Setting	Command	@RCA,xpoint<CR><LF>
xpoint: Crosspoint memory number 1 to 9		
Setting example		
@RCA,1<CR><LF>		Recalling the audio input channel of Crosspoint memory 1

@SPM		Saving preset memory
Setting	Command	@SPM,preset(,name)<CR><LF>
preset: Preset memory number 1 to 9		
name: Preset memory name Up to 10 characters from 20 to 7D from ASCII code Default: All 20 (Space) You can skip this parameter (name).		
Setting example1		
@SPM,2<CR><LF>		Saving the current settings in Preset memory 2 without changing the memory name
Setting example2		
@SPM,2,MEMORY2<CR><LF>		Saving the current settings in Preset memory 2 with the name of MEMORY2

@RPM		Recalling preset memory
Setting	Command	@RPM,preset(,xpoint)<CR><LF>
preset: Preset memory number 1 to 9		
xpoint: Input channel selection -1 = Does not recall input channel selection and keeps the current input channel selection 0 = Recalls input channel selection that is saved temporarily in preset memory 1 to 9 = Recalls input channel selection that is saved in one of crosspoint memories 1 to 9. If you skip this parameter, recalls input channel selection that is saved in preset memory.		
Setting example		
@RPM,3<CR><LF>		Recalling Preset memory 3 including input channel selection

@SWM		Saving pattern memory
Setting	Command	@SWM,pattern,output(,name)<CR><LF>
pattern: Pattern memory number 1 to 5		
output: Output channel 1 = OUT1 2 = OUT2		
name: Pattern memory name Up to 10 characters from 20 to 7D from ASCII code Default: All 20 (Space) You can skip this parameter (name).		
Setting example1		
@SWM,2,1<CR><LF>		Saving the OUT1 settings in Pattern memory 2 without changing the memory name
Setting example2		
@SWM,2,1,MEMORY2<CR><LF>		Saving the OUT1 settings in Pattern memory 2 with the name of MEMORY2

@RWM		Recalling pattern memory
Setting	Command	@RWM,pattern,output<CR><LF>
pattern: Pattern memory number 1 to 5		
output: Output channel 1 = OUT1 2 = OUT2		
Setting example		
@RWM,2,1<CR><LF>		Recalling the Pattern memory 2 to OUT1

Bitmap

@GBM/@SBM		Bitmap output
Getting	Command	@GBM,output<CR><LF>
	Response	@GBM,output,bitmap(,bitmap···)<CR><LF>
Setting	Command	@SBM,output,bitmap<CR><LF>
output: Output channel 0 = All outputs 1 = OUT1 main window 2 = OUT2 main window 201 = OUT1 PinP window 202 = OUT2 PinP window		
bitmap: Bitmap output 0 = OFF 1 = Bitmap 1 2 = Bitmap 2 3 = Bitmap 3 4 = Bitmap 4 Only registered numbers can be specified.		
Getting example		
@GBM,0<CR><LF>		Getting the bitmap output of all outputs
@GBM,0,1,2,0,0<CR><LF>		<ul style="list-style-type: none"> • OUT1 main window : Bitmap 1 • OUT2 main window : Bitmap 2 • Other windows : OFF
Setting example		
@SBM,1,1<CR><LF>		Outputting Bitmap 1 to the OUT1 main window

Configuring MSD-V6

@GFA/@SFA		Function button assignment
Getting	Command	@GFA,button<CR><LF>
	Response	@GFA,button,function(,function···)<CR><LF>
Setting	Command	@SFA,button,function<CR><LF>
button: Function buttons 0 = All buttons 1 to 9 = F1 to F9 button 10 to 11 = FN1 to FN2 button		
function: Assigning function 0 = COMMAND 1 = DISPLAY POWER 21 to 22 = OUT1 PATTERN to OUT2 PATTERN 41 = WINDOW SELECT 61 to 69 = CROSSPOINT No.1 to CROSSPOINT No.9 81 to 89 = PRESETMEMORY No.1 to PRESETMEMORY No.9		
Getting example		
@GFA,1<CR><LF>		Getting the function that is assigned to F1 button
@GFA,1,21<CR><LF>		OUT1 PATTERN
Setting example		
@SFA,1,41<CR><LF>		Setting the F1 button to WINDOW SELECT

Status

@GSS		Input signal/Output signal status										
Getting	Command	@GSS,connector,mode<CR><LF>										
	Response	@GSS,connector,mode,status_1(,status_2,status_3···)<CR><LF>										
connector: I/O connectors 1 to 6 = IN1 to IN6* 101 = OUT1A 102 = OUT2A 201 = OUT1B 202 = OUT2B *IN6: Input connector selected in " @GIE/@SIE Selecting input connector (P.19) ".												
mode: Target status connector = 1 to 6 (Input connector) 0 = All of [1] to [4] 1 = Input signal type* ¹ 2 = Video input signal resolution* ² 3 = Input audio signal format* ³ 4 = Presence of HDCP* ⁴ connector = 101 to 202 (Output connector) 0 = All of [1] to [3] 1 = HDCP output* ⁵ 2 = Output signal type* ⁶ 3 = Error code* ⁷												
status_1-4: I/O signal status ^{*1} Input signal type <table border="1" data-bbox="193 936 1334 1095"> <tr> <td>Hxx</td> <td>HDMI signal is input. xx stands for color depth (24, 30, or 36).</td> </tr> <tr> <td>D</td> <td>DVI signal is input.</td> </tr> <tr> <td>N</td> <td>No signal is input.</td> </tr> </table>			Hxx	HDMI signal is input. xx stands for color depth (24, 30, or 36).	D	DVI signal is input.	N	No signal is input.				
Hxx	HDMI signal is input. xx stands for color depth (24, 30, or 36).											
D	DVI signal is input.											
N	No signal is input.											
^{*2} Video input signal type <table border="1" data-bbox="193 1173 1334 1292"> <tr> <td>1920x1080p 60.00Hz</td> <td>Signal is input, and Horizontal resolution x Vertical resolution are returned.</td> </tr> <tr> <td>NO SIGNAL</td> <td>No video signal is input.</td> </tr> </table>			1920x1080p 60.00Hz	Signal is input, and Horizontal resolution x Vertical resolution are returned.	NO SIGNAL	No video signal is input.						
1920x1080p 60.00Hz	Signal is input, and Horizontal resolution x Vertical resolution are returned.											
NO SIGNAL	No video signal is input.											
^{*3} Input audio signal type <table border="1" data-bbox="193 1370 1334 1612"> <tr> <td>LINEAR PCM 48kHz</td> <td>LPCM signal is input, which returns the sampling frequency.</td> </tr> <tr> <td>LINEAR PCM 48kHz (MULTI CHANNEL)</td> <td>Multi-channel LPCM signal is input, which returns the sampling frequency.</td> </tr> <tr> <td>COMPRESSED AUDIO</td> <td>Compressed audio signal (Such as Dolby Digital and DTS) is input.</td> </tr> <tr> <td>NO SIGNAL</td> <td>No audio signal is input.</td> </tr> </table>			LINEAR PCM 48kHz	LPCM signal is input, which returns the sampling frequency.	LINEAR PCM 48kHz (MULTI CHANNEL)	Multi-channel LPCM signal is input, which returns the sampling frequency.	COMPRESSED AUDIO	Compressed audio signal (Such as Dolby Digital and DTS) is input.	NO SIGNAL	No audio signal is input.		
LINEAR PCM 48kHz	LPCM signal is input, which returns the sampling frequency.											
LINEAR PCM 48kHz (MULTI CHANNEL)	Multi-channel LPCM signal is input, which returns the sampling frequency.											
COMPRESSED AUDIO	Compressed audio signal (Such as Dolby Digital and DTS) is input.											
NO SIGNAL	No audio signal is input.											
^{*4} HDCP input type <table border="1" data-bbox="193 1691 1334 1890"> <tr> <td>HDCP1.4</td> <td>HDCP 1.4 input</td> </tr> <tr> <td>HDCP2.2 Type0</td> <td>HDCP 2.2 Type 0 input</td> </tr> <tr> <td>HDCP2.2 Type1</td> <td>HDCP 2.2 Type 1 input</td> </tr> <tr> <td>HDCP NOT ENCRYPTED</td> <td>No HDCP is input</td> </tr> <tr> <td>NO SIGNAL</td> <td>No video signal is input.</td> </tr> </table>			HDCP1.4	HDCP 1.4 input	HDCP2.2 Type0	HDCP 2.2 Type 0 input	HDCP2.2 Type1	HDCP 2.2 Type 1 input	HDCP NOT ENCRYPTED	No HDCP is input	NO SIGNAL	No video signal is input.
HDCP1.4	HDCP 1.4 input											
HDCP2.2 Type0	HDCP 2.2 Type 0 input											
HDCP2.2 Type1	HDCP 2.2 Type 1 input											
HDCP NOT ENCRYPTED	No HDCP is input											
NO SIGNAL	No video signal is input.											

@GSS	Input signal/Output signal status (Cont'd)
*5 HDCP output type	
HDCP1.4	HDCP 1.4 output
HDCP2.2	HDCP 2.2 output
HDCP2.2 Type0	HDCP 2.2 Type 0 output
HDCP2.2 Type1	HDCP 2.2 Type 1 output
HDCP NOT ENCRYPTED	No HDCP is output
HDCP ERROR	HDCP authentication failed
DURING AUTHENTICATION	Being HDCP encrypted
SIGNAL STOPPED	Video output stops
UNCONNECTED	Sink device is not connected.
*6 Output signal type	
Hxx	HDMI signal is output. xx stands for color depth (24, 30, or 36).
D	DVI signal is output
C	Being HDCP encrypted and no video is output.
X	Video output stops
N	Sink device is not connected.

@GSS	Input signal/Output signal status (Cont'd)	
<p>^{*7} Error codes below are returned in the following order. Video output and digital audio from output connector, audio output from analog audio output connector For video output error code, if [1] (ON) is set for “@GPI/@SPI PinP output (P.15)” and no error for main window, PinP window’s error code is returned.</p>		
Error code	Video output status	Audio output status
0	No error	
1	“@GDB/@SDB Video mute (P.16)” is set to [1] (ON).	“@GAM/@SAM Mute (P.23)” is set to [1] (ON).
2	Source device is not connected. (No DDC 5 V signal is input.)	
3	No video signal is input.	No audio signal is input. ^{*8}
4	Video or audio output of the source device is muted.	
5	Signal with HDCP is input but sink device is HDCP incompatible (This error code may also be returned during HDCP authentication)	—
6	Source device does not output the returned information (Packets) for output of video or audio.	
7	Signal that is not supported by MSD-V6 (Dot clock is out of range) is input.	Since compressed audio is input, audio cannot be output (Compressed audio can be output only to sink devices supporting compressed audio).
8	—	“@GUC/@SUC Audio output (P.22)” is set to [0] (OFF).
9	—	[OUTPUT SETTINGS]→[SIGNAL FORMAT] is set to DVI MODE or a sink device that does not support audio is connected. ^{*8}
A	Input channel selection is set to OFF.	
<p>^{*8} Analog audio input status cannot be detected. Even if [0] is returned, audio may not be output with analog input selected.</p>		
<p>^{*9} Only HDMI connector and HDBaseT connector</p>		
Getting example1		
<pre>@GSS,1,0<CR><LF> @GSS,1,0,H30,1920x1080p 60Hz, LINEAR PCM 48kHz,HDCP1.4<CR><LF></pre>	Getting IN1 all statuses <ul style="list-style-type: none"> ▪ Input signal type : 30-BIT COLOR HDMI signal ▪ Video input signal : 1920x1080p 60Hz ▪ Audio input signal : LINEAR PCM 48kHz ▪ HDCP : HDCP 1.4 	
Getting example2		
<pre>@GSS,101,0<CR><LF> @GSS,101,0,HDCP2.2,H24,000<CR><LF></pre>	Getting OUT1A all statuses <ul style="list-style-type: none"> ▪ HDCP : HDCP 2.2 ▪ Output signal type : 24-BIT COLOR HDMI signal ▪ Error code : Output correctly 	

@GES		Viewing sink device EDID
Getting	Command	@GES,connector,mode<CR><LF>
	Response	@GES,connector,mode,status_1(,status_2,status_3,status_4)<CR><LF>
<p>connector: Output connector 1 = OUT1A 2 = OUT2A 201 = OUT1B 202 = OUT2B Available only for HDMI/HDBaseT connector</p>		
<p>mode: Target status 0 = All of [1] to [4] 1 = Sink device name 2 = Recommended resolution and dot clock 3 = HDMI, video signal format, and color depth support status^{*1} 4 = Audio sampling frequency, bit length, the number of channels, and support status of audio signal format^{*2}</p>		
<p>status_1-4: EDID status SIGNAL STOPPED : Video output stops UNCONNECTED : Sink device is not connected. EDID READ ERROR : Reading EDID fails.</p> <p>^{*1} For sink device that does not support HDMI : [DVI] is returned. For sink device that supports HDMI : [HDMI] is returned, and then supported video signal format (RGB, YCbCr 4:2:2, YCbCr 4:4:4, and YCbCr 4:2:0 separated with /) and supported color depths (24, 30, and 36, separated with /) are returned in that order.</p> <p>^{*2} For sink device that does not support audio : [AUDIO NOT SUPPORT] is returned. For sink device that supports audio : [LINEAR PCM] is returned, and then supported sampling frequencies (32, 44.1, 48, 88.2, 96, 176.4, and 192, separated with /), bit length (16, 20, and 24, separated with /), the number of channels (One of 1 to 8), and [COMPRESSED AUDIO SUPPORT] (If compressed audio is supported) are returned in that order.</p>		
Getting example		
<pre>@GES,1,0<CR><LF></pre> <pre>@GES,1,0,MSD-V62U,1920x1080 148.50MHz, DVI,AUDIO NOT SUPPORT<CR><LF></pre>		<p>Getting the EDID of the sink device connected to OUT1A</p> <ul style="list-style-type: none"> ▪ Sink device name : MSD-V62U ▪ Recommended resolution : 1920x1080 ▪ Dot clock : 148.50 MHz ▪ HDMI : Not supported ▪ Audio : Not supported

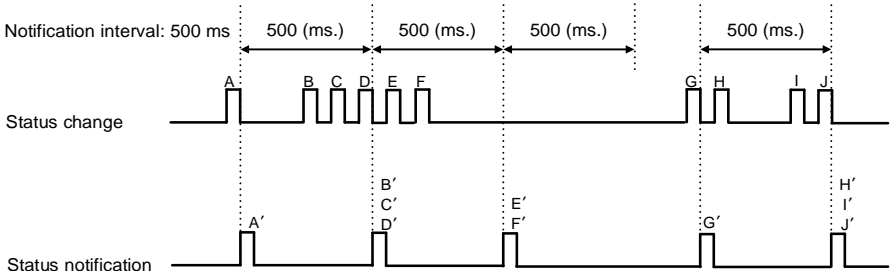
@GHC		System check
Getting	Command	@GHC<CR><LF>
	Response	@GHC,voltage,temp<CR><LF>
voltage: Internal voltage status 0 = Normal 1 = Abnormal		
temp: Internal temperature status 0 = Normal 1 = Abnormal		
Getting example		
@GHC<CR><LF> @GHC,1,0<CR><LF>		Getting the system check result <ul style="list-style-type: none"> ▪ Internal voltage status : Abnormal ▪ Internal temperature status : Normal

@GIV		Device information
Getting	Command	@GIV<CR><LF>
	Response	@GIV,id,ver<CR><LF>
id: Model number		
ver: Firmware version		
Getting example		
@GIV<CR><LF> @GIV,MSD-V62U,01.00.00<CR><LF>		Getting the product information <ul style="list-style-type: none"> ▪ Model number : MSD-V62U ▪ Firmware version : 01.00.00

Unsolicited status notification

Changes in I/O and internal statuses are notified to external devices over LAN communication (UDP). When the MSD-V6 is powered on, the unsolicited status notification is set to [0] (OFF) as default. To enable this function, set “@SPH Notification interval (P.52)” to a value other than [0] (OFF) every time powering on the MSD-V6.

If no change is detected during the interval, status is sent immediately after detecting a change.



■ Example:

1. Set the destination using “@GDA/@SDA IP address/UDP port number of destination (P.52)”.
2. Set the notification interval using “@SPH Notification interval (P.52)”.
3. If any status changes, “@PSH Unsolicited status notification (P.53)” is sent to the set the IP address destination over UDP protocol.
4. Get the changes in input signal, output signal, and alarm status using “@AIN Input signal status (For each connector) (P.54)”, “@AOT Output signal status (For each channel) (P.56)”, and “@GAA Alarm status (P.58)”.



@GDA/@SDA		IP address/UDP port number of destination
Getting	Command	@GDA,reserve<CR><LF>
	Response	@GDA,reserve,unit_1,unit_2,unit_3,unit_4,port<CR><LF>
Setting	Command	@SDA,reserve,unit_1,unit_2,unit_3,unit_4,port<CR><LF>
reserve: 1 (Fixed)		
unit_1 to unit_4 = Upper bit of the IP address to Lower bit of the IP address 0 to 255 192.168.1.200		
port: UDP port number 1 to 65535 1147		
Getting example		
@GDA,1<CR><LF>		Getting the IP address/UDP port number of destination
@GDA,1,192,168,1,200,1147<CR><LF>		<ul style="list-style-type: none"> • IP address : 192.168.1.200 • UDP port number: 1147
Setting example		
@SDA,1,192,168,1,201,1148<CR><LF>		Set the IP address/UDP port number of destination to 192.168.1.201 and 1148, respectively.
Remarks: If status notification function is enabled (“@GPH/@SPH Notification interval (P.52)” is set to a value other than [0] (OFF)), this command cannot be set.		

@GPH/@SPH		Notification interval																																																																								
Getting	Command	@GPH<CR><LF>																																																																								
	Response	@GPH,time<CR><LF>																																																																								
Setting	Command	@SPH,time<CR><LF>																																																																								
time: Notification time 0 = OFF 1 to 50 = 100 ms. to 5000 ms.																																																																										
<table border="1" style="display: inline-table; margin-right: 20px;"> <thead> <tr> <th>time</th> <th>ON/OFF</th> <th>Time</th> </tr> </thead> <tbody> <tr><td>0</td><td>OFF</td><td>—</td></tr> <tr><td>1</td><td>ON</td><td>100 ms.</td></tr> <tr><td>2</td><td>ON</td><td>200 ms.</td></tr> <tr><td>3</td><td>ON</td><td>300 ms.</td></tr> <tr><td>4</td><td>ON</td><td>400 ms.</td></tr> <tr><td>5</td><td>ON</td><td>500 ms.</td></tr> <tr><td>6</td><td>ON</td><td>600 ms.</td></tr> <tr><td>7</td><td>ON</td><td>700 ms.</td></tr> <tr><td>8</td><td>ON</td><td>800 ms.</td></tr> <tr><td>9</td><td>ON</td><td>900 ms.</td></tr> <tr><td>10</td><td>ON</td><td>1000 ms.</td></tr> </tbody> </table> to <table border="1" style="display: inline-table;"> <thead> <tr> <th>time</th> <th>ON/OFF</th> <th>Time</th> </tr> </thead> <tbody> <tr><td>40</td><td>ON</td><td>4000 ms.</td></tr> <tr><td>41</td><td>ON</td><td>4100 ms.</td></tr> <tr><td>42</td><td>ON</td><td>4200 ms.</td></tr> <tr><td>43</td><td>ON</td><td>4300 ms.</td></tr> <tr><td>44</td><td>ON</td><td>4400 ms.</td></tr> <tr><td>45</td><td>ON</td><td>4500 ms.</td></tr> <tr><td>46</td><td>ON</td><td>4600 ms.</td></tr> <tr><td>47</td><td>ON</td><td>4700 ms.</td></tr> <tr><td>48</td><td>ON</td><td>4800 ms.</td></tr> <tr><td>49</td><td>ON</td><td>4900 ms.</td></tr> <tr><td>50</td><td>ON</td><td>5000 ms.</td></tr> </tbody> </table>			time	ON/OFF	Time	0	OFF	—	1	ON	100 ms.	2	ON	200 ms.	3	ON	300 ms.	4	ON	400 ms.	5	ON	500 ms.	6	ON	600 ms.	7	ON	700 ms.	8	ON	800 ms.	9	ON	900 ms.	10	ON	1000 ms.	time	ON/OFF	Time	40	ON	4000 ms.	41	ON	4100 ms.	42	ON	4200 ms.	43	ON	4300 ms.	44	ON	4400 ms.	45	ON	4500 ms.	46	ON	4600 ms.	47	ON	4700 ms.	48	ON	4800 ms.	49	ON	4900 ms.	50	ON	5000 ms.
time	ON/OFF	Time																																																																								
0	OFF	—																																																																								
1	ON	100 ms.																																																																								
2	ON	200 ms.																																																																								
3	ON	300 ms.																																																																								
4	ON	400 ms.																																																																								
5	ON	500 ms.																																																																								
6	ON	600 ms.																																																																								
7	ON	700 ms.																																																																								
8	ON	800 ms.																																																																								
9	ON	900 ms.																																																																								
10	ON	1000 ms.																																																																								
time	ON/OFF	Time																																																																								
40	ON	4000 ms.																																																																								
41	ON	4100 ms.																																																																								
42	ON	4200 ms.																																																																								
43	ON	4300 ms.																																																																								
44	ON	4400 ms.																																																																								
45	ON	4500 ms.																																																																								
46	ON	4600 ms.																																																																								
47	ON	4700 ms.																																																																								
48	ON	4800 ms.																																																																								
49	ON	4900 ms.																																																																								
50	ON	5000 ms.																																																																								
Getting example																																																																										
@GPH<CR><LF>		Getting notification time																																																																								
@GPH,5<CR><LF>		500 ms.																																																																								
Setting example																																																																										
@SPH,50<CR><LF>		Setting notification time to 5000 ms.																																																																								
Remarks: When the MSD-V6 is powered on, the unsolicited status notification is set to [0] (OFF).																																																																										

@PSH		Unsolicited status notification						
Getting		@PSH,in,out,alarm<CR><LF>						
in: Input status 0 = Not change 1 to FF= Changes								
bit	7	6	5	4	3	2	1	0
in			IN6	IN5	IN4	IN3	IN2	IN1
[1] appears for detected channel, the value is displayed in hex. 1 : Changes in IN1 A: Changes in IN4 and IN2								
out: Output status 0 = Not change 1 to FF = Changes								
bit	7	6	5	4	3	2	1	0
out					OUT2B	OUT2A	OUT1B	OUT1A
[1] appears for detected channel, the value is displayed in hex. 1 : Changes in OUT1A C: Changes in OUT2A and OUT2B								
alarm: Alarm status 0 = Not change 1 = Changes								
Getting example								
@PSH,1,0,0<CR><LF>					Getting the status change			
					<ul style="list-style-type: none"> ▪ Input status : IN1 ▪ Output status : No changes ▪ Alarm status : No changes 			
Remarks: Only if status notification function is enabled (“@GPH/@SPH Notification interval (P.52)” is set to a value other than [0] (OFF)), the command can be sent.								

@AIN		Input signal status (For each connector)
Getting	Command	@AIN,in<CR><LF>
	Response	@AIN,status_1,status_2,status_3,status_4,status_5,status_6,status_7,status_8, status_9,status_10,status_11,status_12,status_13,status_14,status_15, status_16,status_17,status_18,status_19<CR><LF>
in: Input connector 1 to 6 = IN1 to IN6* *IN6: Input connector selected in “@GIE/@SIE Selecting input connector (P.19)”.		
status_1: Input connector 1 to 6 = IN1 to IN6		
status_2: Model number		
status_3: Firmware version		
status_4: The number of valid data = 15 (Fixed)		
status_5: 1 (Fixed)		
status_6: Horizontal resolution of input video 0 = No signal is input. 1920 = 1920 pixels		
status_7: Vertical resolution of input video 0 = No signal is input. 1080 = 1080 lines		
status_8: Vertical sync frequency of input video 0 = No signal is input. 59.94 = 59.94Hz		
status_9: Progressive or interlace scan 0 = No signal is input. 1 = Progressive 2 = Interlace		
status_10: HDMI/DVI mode of input video 0 = No signal is input. 1 = DVI 2 = HDMI		
status_11: Video signal format of input video 0 = No signal is input. 1 = RGB 2 = YCbCr 4:2:2 3 = YCbCr 4:4:4 4 = YCbCr 4:2:0 255 = Unknown		
status_12: Color range of input video 0 = No signal is input. 1 = Limited range 2 = Full range		
status_13: Color depth of input video 0 = No signal is input. 1 = 24bit/pixel (8bit/component) 2 = 30bit/pixel (10bit/component) 3 = 36bit/pixel (12bit/component)		
status_14: DDC 5 V input status 0 = No signal is input 1 = Signal is input		
status_15: Presence of HDCP 0 = No signal is input. 1 = Without HDCP 2 = HDCP 1.4 3 = HDCP 2.2 Type 0 4 = HDCP 2.2 Type 1		
status_16: Format of input audio 0 = No signal is input. 1 = LPCM 2 = Compressed audio		
status_17: Sampling frequency of input audio 0 = No signal is input. 1 = 22.05 kHz 2 = 24 kHz 3 = 32 kHz 4 = 44.1 kHz 5 = 48 kHz 6 = 88.2 kHz 7 = 96 kHz 8 = 176.4 kHz 9 = 192 kHz 10 = 768 kHz 11 = 64 kHz 12 = 128 kHz 255 = Unknown		
status_18: Bit length of input audio 0 = No signal is input. 1 = 16 bit 2 = 17 bit 3 = 18 bit 4 = 19 bit 5 = 20 bit 6 = 21 bit 7 = 22 bit 8 = 23 bit 9 = 24 bit 255 = Unknown		
status_19: HBR mode of input audio 0 = No signal is input. 1 = More other than HBR (LPCM, other compressed audio) 2 = HBR mode		

@AIN	Input signal status (For each channel) (Cont'd)
Getting example	
<pre>@AIN,1<CR><LF> @AIN,1,MSD-V62U,01.00.00, 15,1,1920,1080,59.94,1,2,1,2, 1,1,2,1,5,9,1<CR><LF></pre>	<p>Getting IN input signal status</p> <ul style="list-style-type: none"> ▪ Input connector : IN1 ▪ Model number : MSD-V62U ▪ Firmware version : 01.00.00 ▪ The number of valid data : 15 ▪ 1 (Fixed) ▪ Horizontal resolution of input video : 1920 pixels ▪ Vertical resolution of input video : 1080 lines ▪ Vertical sync frequency of input video: 59.94 Hz ▪ Progressive or interlace scan : Progressive ▪ HDMI/DVI mode of input video : HDMI ▪ Video signal format of input video : RGB ▪ Color range of input video : Full range ▪ Color depth of input video : 24bit/pixel (8bit/component) ▪ DDC 5 V input status : Signal is input ▪ Presence of HDCP : HDCP 1.4 ▪ Format of input audio : LPCM ▪ Sampling frequency of input audio : 48 kHz ▪ Bit length of input audio : 24 bit ▪ HBR mode of input audio : More other than HBR

@AOT		Output signal status (For each channel)
Getting	Command	@AOT,out<CR><LF>
	Response	@AOT,status_1,status_2,status_3,status_4,status_5,status_6,status_7,status_8, status_9,status_10,status_11,status_12,status_13,status_14,status_15, status_16,status_17,status_18,status_19,status_20,status_21,status_22, status_23,status_24,status_25<CR><LF>
out: Output connector 1 = OUT1A 2 = OUT1B 3 = OUT2A 4 = OUT2B		
status_1: Output connector 1 = OUT1A 2 = OUT1B 3 = OUT2A 4 = OUT2B		
status_2: Model number		
status_3: Firmware version		
status_4: The number of valid data = 21 (Fixed)		
status_5: 1 (Fixed)		
status_6: Select input (Main window) 0 = OFF 1 to 6 = IN1 to IN6		
status_7: Horizontal resolution of output video 0 = No signal is output. 1920 = 1920 pixels		
status_8: Vertical resolution of output video 0 = No signal is output. 1080 = 1080 lines		
status_9: Vertical sync frequency of output video 0 = No signal is output. 59.94 = 59.94 Hz		
status_10: Progressive or interlace scan 0 = No signal is output. 1 = Progressive 2 = Interlace		
status_11: HDMI/DVI mode of output video 0 = No signal is output. 1 = DVI 2 = HDMI		
status_12: Video signal format of output video 0 = No signal is output. 1 = RGB 2 = YCbCr 4:2:2 3 = YCbCr 4:4:4 4 = YCbCr 4:2:0		
status_13: Color range of output video 0 = No signal is output. 1 = Limited range 2 = Full range		
status_14: Color depth of output video 0 = No signal is output. 1 = 24bit/pixel (8bit/component) 2 = 30bit/pixel (10bit/component) 3 = 36bit/pixel (12bit/component)		
status_15: Hot plug detection 0 = Hot plug is detected. 1 = No hot plug is detected.		
status_16: HDCP encryption 0 = No HDCP encryption 1 = HDCP is being encrypted. 2 = HDCP is being encrypted. 3 = HDCP is being encrypted. 4 = HDCP encryption ends normally. 5 = HDCP encryption ends abnormally.		
status_17: HDCP output 0 = No HDCP output 1 = HDCP 1.4 2 = HDCP 2.2 Type 0 3 = HDCP 2.2 Type 1		
status_18: Format of output audio 0 = No signal is output. 1 = LPCM 2 = Compressed audio		
status_19: Reading EDID 0 = Sink device is not connected. 1 = Failed 2 = Completed 255 = N/A		
status_20: HDMI/DVI mode (Sink) 0 = Sink device is not connected. 1 = DVI 2 = HDMI (LPCM supported) 3 = HDMI (Compressed audio supported) 255 = N/A		

@AOT	Output signal status (For each channel) (Cont'd)							
status_21: Color format (Sink)								
bit	7	6	5	4	3	2	1	0
Color	N/A	-	-	-	YCbCr 4:2:0	YCbCr 4:4:4	YCbCr 4:2:2	RGB
<ul style="list-style-type: none"> ▪ "1" appears for supported color space, the value is displayed in decimal. ▪ [0] : Sink device is not connected. ▪ [128] : N/A 								
status_22: Color depth (Sink)								
0 = Sink device is not connected. 1 = 24bit/pixel (8bit/component)								
2 = 30bit/pixel (10bit/component) 3 = 36bit/pixel (12bit/component) 255 = N/A								
status_23: HDCP (Sink)								
0 = Sink device is not connected. 1 = HDCP is not supported. 2 = HDCP 1.4 supported								
3 = HDCP 2.2 supported 255 = N/A								
status_24: SCDC (Sink)								
0 = Sink device is not connected. 1 = SCDC is not supported. 2 = SCDC supported 255 = N/A								
status_25: HDR (Sink)								
0 = Sink device is not connected. 1 = HDR is not supported. 2 = HDR supported 255 = N/A								
Getting example								
<pre>@AOT,1<CR><LF> @AOT,1,MSD-V62U, 01.00.00,21,1,1,1920, 1080,59.94,1,2,1,2,1,1, 4,1,1,2,2,7,1,2,2,2 <CR><LF></pre>								
<pre>Getting the OUT1A output signal statuses ▪ Output connector : OUT1A ▪ Model number : MSD-V62U ▪ Firmware version : 01.00.00 ▪ The number of valid data : 21 ▪ 1 (Fixed) ▪ Select input (Main window) : IN1 ▪ Horizontal resolution of output video : 1920 pixels ▪ Vertical resolution of output video : 1080 lines ▪ Vertical sync frequency of output video : 59.94 Hz ▪ Progressive or interlace scan : Progressive ▪ HDMI/DVI mode of output video : HDMI ▪ Video signal format of output video : RGB ▪ Color range of output video : Full range ▪ Color depth of output video : 24bit/pixel (8bit/component) ▪ Hot plug detection : No hot plug is detected. ▪ HDCP encryption : HDCP encryption ends normally. ▪ HDCP output : HDCP 1.4 ▪ Format of output audio : LPCM ▪ Reading EDID : Completed ▪ HDMI/DVI mode (Sink) : HDMI (LPCM supported) ▪ Color format (Sink) : RGB, YCbCr 4:4:4, and YCbCr 4:2:2 supported ▪ Color depth (Sink) : 24bit/pixel (8bit/component) ▪ HDCP (Sink) : HDCP 1.4 supported ▪ SCDC (Sink) : SCDC supported ▪ HDR (Sink) : HDR supported</pre>								

@GAA		Alarm status
Getting	Command	@GAA<CR><LF>
	Response	@GAA,status_1,status_2,status_3,status_4,status_5,status_6<CR><LF>
status_1: Model number		
status_2: Firmware version		
status_3: The number of valid data = 3 (Fixed)		
status_4: Power voltage status 0 = Normal 1 = Abnormal		
status_5: Temperature status 0 = Normal 1 = Abnormal		
status_6: FAN status 0 = Normal 1 = Abnormal		
Getting example		
@GAA<CR><LF> @GAA,MSD-V62U,01.00.00,3,0,0,0<CR><LF>		Getting alarm status <ul style="list-style-type: none"> ▪ Model number : MSD-V62U ▪ Firmware version : 01.00.00 ▪ The number of valid data : 3 ▪ Power voltage status : Normal ▪ Temperature status : Normal ▪ FAN status : Normal

Digital Multi Switcher

MSD-V6 Series

Command Guide



www.idkav.com

Headquarters

IDK Corporation

7-9-1 Chuo, Yamato, Kanagawa, 242-0021, JAPAN

TEL: +81-46-200-0764 FAX: +81-46-200-0765

Email: idk_eng@idk.co.jp

USA

IDK America Inc.

72 Grays Bridge Road Suite 1-C, Brookfield,
CT 06804, United States

TEL: +1-203-204-2445

Email: sales@idkav.com

Europe

IDK Europe GmbH

Lise-Meitner-Str. 6, D-40878 Ratingen, Germany

TEL: +49-2102-578-301-0

Email: info@idkav.eu

Vietnam

IDK Corporation Vietnam

Hanoi Representative Office

TEL: +84-247-108-8866

Email: info_en@idk.co.jp

IDK Corporation Vietnam

Ho Chi Minh Representative Office

TEL: +84-28-7108-8954

Email: info_en@idk.co.jp