

# Recessed Rack Mounting Bracket for 1U devices

## RM-OFS100

---

<User Guide>  
Ver.1.0.0

- Thank you for choosing our product.
- To ensure the best performance of this product, please read this guide fully and carefully before using it and keep this manual together with the product for future reference as needed.

### Before reading this manual

- All rights reserved.
- Some information contained in this document may differ depending on the product version.
- This document is subject to change without notice. You can download the latest version from IDK's website at: <http://www.idkav.com>

### Included items

---

Verify that all items listed below are included in the package.  
If any items are missing or damaged, please contact IDK.

RM-OFS100	
Mounting bracket	2

## Precaution

---

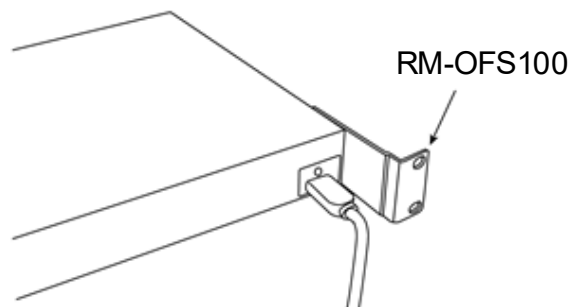
Please observe the following precautions.

1. Power off all devices before installation.
2. Remove the rubber feet from the bottom of the chassis, if any.
3. Dissipate static electricity before installation. Failure to observe this precaution may result in ESD (electrostatic discharge) damage.

## RM-OFS100

---

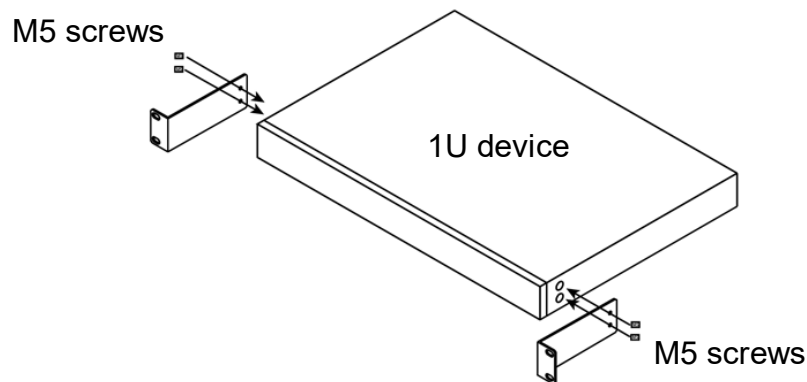
The RM-OFS100 provides clearance for the front panel. This is designed to permit mounting the 1U devices from the rack mounting surface with a cable connected.



[Fig. 1] RM-OFS100

### To attach the RM-OFS100:

1. Remove four (4) screws from the device (two (2) screws from each side).
2. Attach the bracket to the device using these M5 screws as follows.



[Fig. 2] Attaching mounting brackets

---

User Guide of RM-OFS100  
Ver. 1.0.0  
Issued on: 26 February 2020

---



**Headquarters** IDK Corporation  
7-9-1 Chuo, Yamato-shi, Kanagawa-pref.  
242-0021 JAPAN  
TEL: +81-46-200-0764 FAX: +81-46-200-0765  
Email: [idk\\_eng@idk.co.jp](mailto:idk_eng@idk.co.jp) URL: <http://www.idkav.com>

**USA** IDK America Inc.  
72 Grays Bridge Road Suite 1-C, Brookfield, CT 06804  
TEL: +1-203-204-2445  
Email: [sales@idkav.com](mailto:sales@idkav.com) URL: <http://www.idkav.com>

**Europe** IDK Europe GmbH  
Lise-Meitner-Str. 6, D-40878 Ratingen  
TEL: +49-2102-578-301-0  
Email: [info@idkav.eu](mailto:info@idkav.eu) URL: <http://www.idkav.com>



**Product information Support** Arvanics Corporation  
7-9-1 Chuo, Yamato-shi, Kanagawa-pref.  
242-0021 JAPAN  
TEL: +81-46-259-6920 FAX: +81-46-259-6930  
Email: [info@arvanics.com](mailto:info@arvanics.com) URL: <http://www.arvanics.com>

Information in this document is subject to change without notice.  
©2020 IDK Corporation, all rights reserved. All trademarks mentioned are the property of their respective owners.