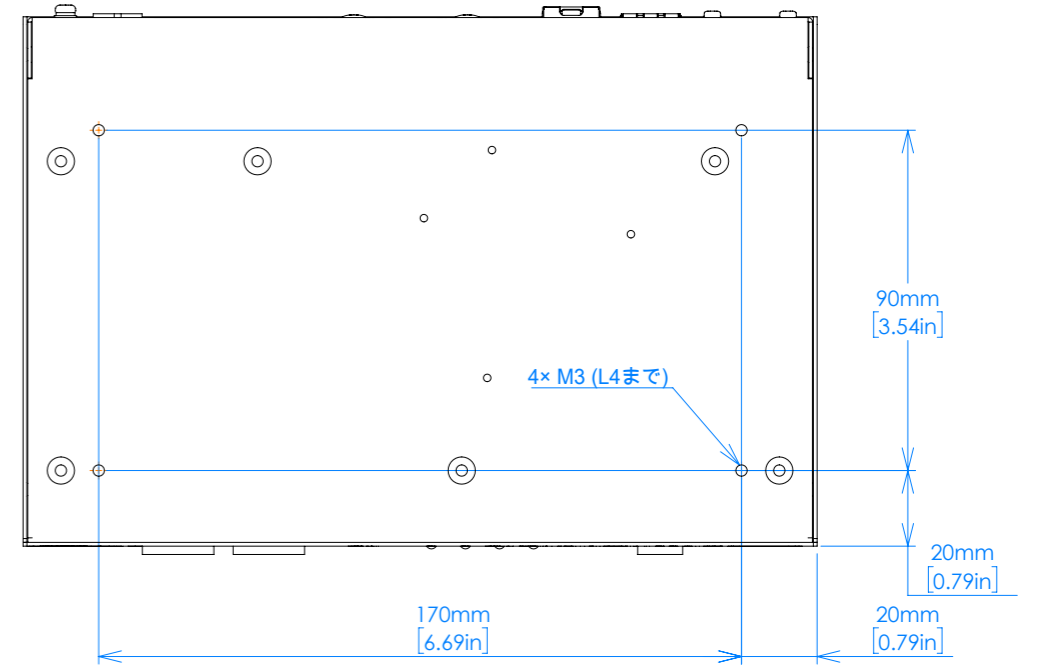
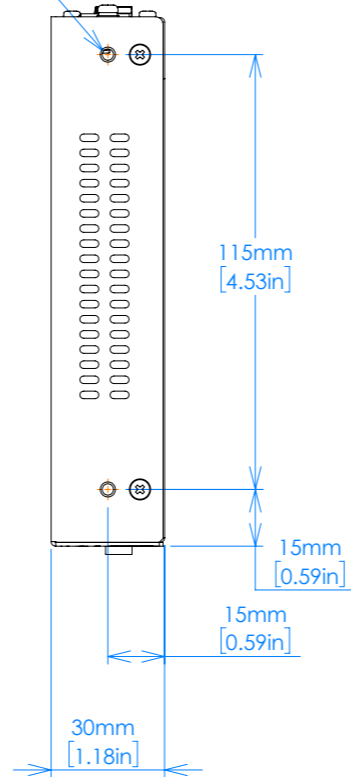
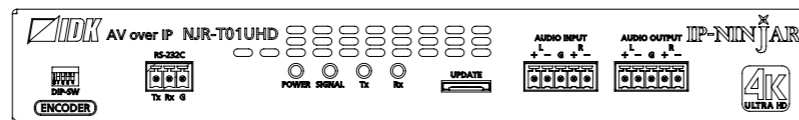


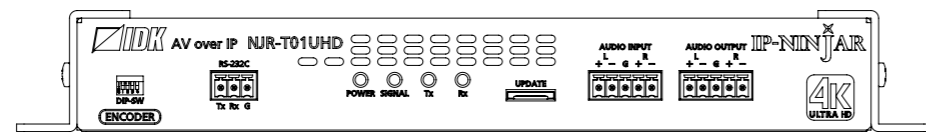
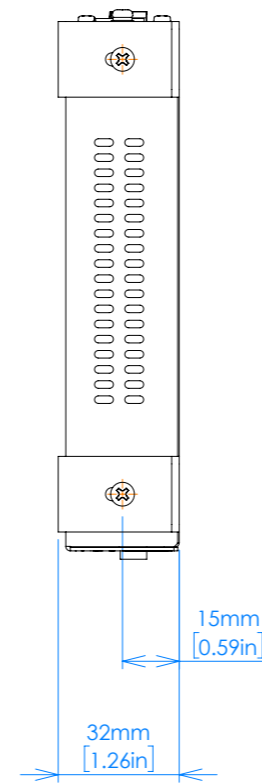
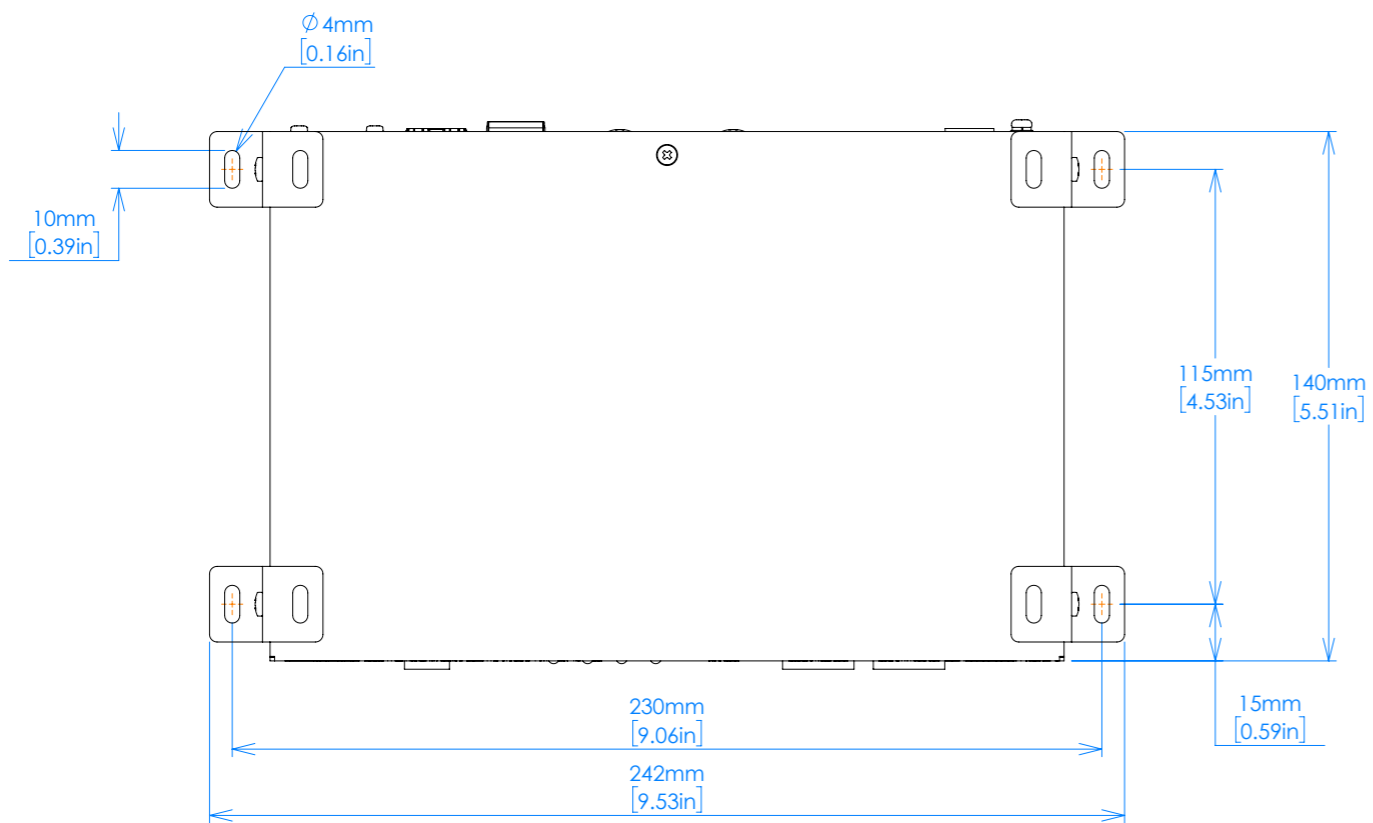
2× M3 (L4まで)



4× M3 (L4まで)



UNITS mm [in]		MODEL NJR-T01UHD	
DRAWN Shibata 2023/07/18	CHECKED Watanabe 2023/07/18	APPROVED Kadowaki 2023/07/18	PART NAME Product Dimensions DWG No. 102E21
IDK Corporation www.idk.co.jp			REVISION B1
SCALE : 1:2 (A3)			PAGE 1 / 2



固定用プレート FP-Z30を取り付けた図となります

MODEL	NJR-T01UHD	
PART NAME	Product Dimensions	
DWG No.	102E21	REVISION B1
IDK Corporation	SCALE : 1:2 (A3)	PAGE 2 / 2