



Digital Multi Switcher MSD-6206

The IDK MSD-6206 is a high-performance digital multi switcher with a scan converter and up to 8 inputs and 6 outputs.

For video input, 8 digital and 2 analog inputs are included and the following signals are supported: HDMI, DVI, HDBaseT, composite video, Y/C, analog RGB, and analog YPbPr signals. HDBaseT input supports Power over HDBaseT (PoH) that can power the connected devices. Input video signals are converted to HDMI/DVI or HDBaseT signals and output at a resolution up to 4K@30.

For audio input, 8 digital and 2 analog inputs are included. Selected audio signals are output to digital audio, and 1 of 8 digital audio outputs can be selected to be output as analog audio. The lip sync function corrects the gap between the video and audio.

This switcher also has RS-232C and LAN ports as communication ports for control to enable you to set menus remotely. You can also control external devices that are connected to the MSD-6206 over RS-232C, LAN, CEC, or contact closure by registering external control commands. The waiting function helps you to send external commands after cooling time passes as power supply control of projectors or the like. External Control commands can be executed from front keys, RS-232C, or LAN; they can also be executed when input channel selection keys or power supply key is operated.

Dante output is available as an optional extra.

With the network audio, 64-channel at 48 kHz-sample frequency audio can be delivered over a LAN cable.

■ Specification

		Item	Description
Input	Video	HDMI/DVI	1 input HDMI Deep Color (*1)/DVI 1.0 TMDS single link, HDCP 1.4 TMDS clocks: 25 MHz to 300 MHz, TMDS data rate: 0.75 Gbps to 9 Gbps Built-in cable EQ, EDID emulation, CEC Connector: Female HDMI Type A (19-pin)
			5 inputs DVI connectors: Switch-selectable between digital and analog HDMI Deep Color (*1)/DVI 1.0 TMDS single link, HDCP 1.4 TMDS clocks: 25 MHz to 225 MHz, TMDS data rate: 0.75 Gbps to 6.75 Gbps Built-in cable EQ, EDID emulation, CEC (HDMI connector only) Connector: 3 female HDMI Type A (19-pin), 2 female DVI-I (29-pin)
		HDBaseT	2 inputs HDBaseT (*1) HDCP 1.4 (*2) EDID emulation, RS-232C, LAN, CEC, PoH power supply (IEEE 802.3af) (*3) Connector: RJ-45 (*4) Cable: CAT.5E HDC, Cat5e UTP/STP, Cat6 UTP/STP (*5)
		Universal Analog	2 inputs Switch-selectable between digital and analog Composite video/Y/C/Analog RGB/Analog YPbPr (auto-recognition) Composite video (VBS Signal): 1.0 V _[p-p] /75 Ω Y/C: 1.0 V _[p-p] (Y)/0.286 V _[p-p] (C)/75 Ω Analog RGB: 0.7 V _[p-p] (1.0 V _[p-p] Sync on Green)/75 Ω HS/VS TTL level, CS TTL level, Sync on Green Analog YPbPr: 1.0 V _[p-p] (Y)/0.7 V _[p-p] (Pb/Pr)/75 Ω EDID emulation Connector: Female DVI-I (29-pin)
		Format	HDMI/DVI
	HDBaseT		5 inputs VGA to QWXGA (Dot clock: 25 MHz to 165 MHz) For WUXGA/QWXGA, only Reduced Blanking is supported. 480i / 480p / 576i / 576p / 720p / 1080i / 1080p
	Universal Analog		VGA to QWXGA (Dot clock: 25 MHz to 165 MHz) For WUXGA/QWXGA, only Reduced Blanking is supported. NTSC/PAL 480i / 480p / 576i / 576p / 720p / 1080i / 1080p
	Audio	Digital	8 inputs Switch-selectable between analog audio Multi-channel LPCM up to 8 channels Sampling frequency: 32 kHz to 192 kHz, Sample size: 16 bit to 24 bit Reference level: -20 dBFS, Max. input level: 0 dBFS Connector: 4 female HDMI Type A (19-pin), 2 RJ-45 (*4), 2 female DVI-I (29-pin)
		Analog	2 inputs Switch-selectable between digital audio Balanced/Unbalanced Stereo LR Input impedance: 48k Ω balanced/24 kΩ unbalanced Reference level: -10 dBu, Max. input level: +10 dBu Connector: Terminal block (5-pin)

●All specifications and drawings are subject to change without notice. ●Blu-ray Disc and Blu-ray is a trademarks of Blu-ray Disc Association. ●Please do not use the supplied AC adapter and power supply cable for other products. ●Audinate®, the Audinate logo and Dante are trademarks of Audinate Pty Ltd. ●HDBaseT™ and the HDBaseT Alliance Logo are trademarks of the HDBaseT Alliance. ●The terms HDMI and HDMI High-Definition Multimedia Interface, and the HDMI Logo are trademarks or registered trademarks of HDMI Licensing Administrator, Inc. in the United States and other countries. ●PJLink is a trademark in Japan, the United States, and other countries/regions. ●The terms Anti-snow and Connection Reset are registered trademarks of IDK Corporation in Japan. ●All other company and product names mentioned in this document are either registered trademarks or trademarks of their respective owners. In this document, the “®” or “™” marks may not be specified.

Item		Description
Output	Video	HDMI/DVI 6 outputs The output video is switch-selectable between HDMI output and HDBaseT output. HDMI Deep Color (*1)/DVI 1.0 TMDS single link, HDCP 1.4 TMDS clocks: 65 MHz to 297 MHz, TMDS data rate: 1.95 Gbps to 8.91 Gbps Built-in cable EQ, CEC Connector: Female HDMI Type A (19-pin)
		HDBaseT 6 outputs The output video is switch-selectable between HDMI output and HDBaseT output. HDBaseT (*1) HDCP 1.4 (*2), RS-232C, LAN, CEC Connector: RJ-45 (*4) Cable: CAT.5E HDC, Cat5e UTP/STP, Cat6 UTP/STP (*5)
		Format VGA / WXGA (1280x768) / WXGA (1280x800) / Quad-VGA / SXGA / WXGA (1360x768) / WXGA (1366x768) / SXGA+ / WXGA+ / WXGA++ / UXGA / WSXGA+ / VESAHD / WUXGA / QWXGA For VESAHD/WUXGA/QWXGA, only Reduced Blanking is supported. 720p / 1080i / 1080p / 4K (3840 x 2160) (*6) / 4K (4096 x 2160) (*6)
	Audio	Digital 6 outputs The output audio is switch-selectable between HDMI output and HDBaseT output. Multi-channel LPCM up to 8 channels Sampling frequency: 32 kHz to 192 kHz, Sample size: 16 bit to 24 bit Reference level: -20 dBFS, Max. output level: 0 dBFS Connector: 6 female HDMI Type A (19-pin), 6 RJ-45 (*4)
		Analog 1 output 1 of 6 digital audio outputs can be selected to be output as analog audio. Balanced/Unbalanced Stereo LR Output impedance: 100 Ω balanced/50 Ω unbalanced Reference level: -10 dBu, Max. output level: +10 dBu Connector: Terminal block (5-pin)
		Network audio (Option) 1 output Format: Dante protocol Sampling frequency: 48 kHz, Sample size: 24 bit The number of outputs: 64 channels Connector: 2 RJ-45 (Primary/Secondary) (*7)
Maximum transmission distance	Digital Input HDMI/DVI : 98 ft. (30 m) (1080p@60), 66 ft. (20 m) (4K@30) (*8) HDBaseT : 328 ft. (100 m), up to 492 ft. (150 m) (Long reach mode is used) (*9)	
	Digital output HDMI/DVI : 131 ft. (40 m) (1080p@60), 98 ft. (30 m) (4K@30) (*8) HDBaseT : 328 ft. (100 m), up to 492 ft. (150 m) (Long reach mode is used) (*9)	
Functions	Analog video processing unit 3D Y/C separation	
	Scan Converter Motion adaptive interlaced/progressive conversion, Aspect Ratio Control, Picture adjustment (brightness, contrast, display position, display size, etc.), Seamless Switching (*10)	
	Others Multiview function (*11), Horizontal flip (*12), WEB browser control, Input channel automatic switching, Volume adjustment (volumes of input and output ports can be set separately), Lip Sync (Max. 16 frames), Audio Downmix, Audio breakaway for independent audio and video switching, Crosspoint memory (9 settings), Preset memory (12 settings), Last memory, Anti-Snow (*13), Connection Reset (*14), External control commands (32 commands), Button security lockout, Standby switch	
Control	RS-232C 1 port/terminal block (3-pin)	
	LAN 1 port/RJ-45 10Base-T/100Base-TX (Auto Negotiation), Auto MDI/MDI-X	
	Contact closure 9 ports/terminal block (6-pin) Non-voltage contact input up to DC 24 V 500 mA	
	External control RS-232C, LAN, contact closure, PLink (class1), CEC (Power control of sink device) (*15)	
General	Power 100 - 240 VAC ± 10%, 50 Hz/60 Hz ± 3 Hz	
	Power consumption About 147 Watts About 154 Watts with Dante (optional)	
	Dimensions 16.9 (W) × 3.5 (H) × 15.7 (D)" (430 (W) × 88 (H) × 400 (D) mm) (2U high) (Excluding connectors and the like)	
	Weight 15.9 lbs. (7.2 kg) 16.5 lbs. (7.5 kg) with Dante (optional)	
	Temperature Operating : 32°F to 104°F (0°C to +40°C) Storage : -4°F to +176°F (-20°C to +80°C)	
	Humidity Operating/Storage: 20% to 90% (Non Condensing)	

*1 30 bit/pixel (10 bit/component) Deep Color is supported while x.v.Color, 3D, ARC and HEC are not supported.

WQHD, WQXGA and 4K format: 24 bit/pixel (8 bit/component) is supported.

*2 HDBaseT input/output: DVI signals protected by HDCP are not supported. To transmit those signals, use an IDK's HDBaseT Products supporting DVI signals.

*3 For PoH power feeding, please use an HDBaseT transmitter supporting IEEE 802.3af. Use an 24 AWG category cable or thicker cable.

*4 RJ-45 (HDBaseT connector) is only for extending digital video and audio signals over a Cat5e/Cat6 cable. Use it with IDK's HDBaseT Products. Do not use for LAN devices.

*5 T568A or T568B straight. The CAT.5E HDC cable is developed by IDK and recommended by HDBaseT alliance.

*6 4K format: Up to 4K@30 is supported.

*7 If multiple sink devices are connected, the actual number of outputs becomes three: OUT1 and OUT2 (as one group), OUT3 and OUT4 (as another group), and OUT5 to OUT6 (as the other group).

*8 RJ-45 (Dante connector) is only for outputting audio at the Dante format.

*9 The maximum cable distance varies depending on the connected devices and was measured under following conditions:

- 1080p@60 : When IDK's 24 AWG cable was used and signals of 1080p@60 24 bit/pixel (8 bit/component) was input or output.

- 4K@30 : When IDK's 24 AWG cable was used and signals of 4K@30 24 bit/pixel (8 bit/component) was input or output.

The maximum cable distance depends on the connected devices. The distance may not be extended with some device combinations, cabling method, or other manufacturer's cable. Video may be disturbed or may not be output even if signals are within the range mentioned above.

*10 The maximum transmission distance was obtained when IDK's CAT.5E HDC cable was used. The distance may not be extended with some device combinations, cabling method, or other manufacturer's cable. Video may be disturbed or may not be output even if signals are within the range mentioned above. Operations may not be stable with some LCD devices; please check the operation beforehand or contact us.

The maximum transmission distance is the shorter distance of connected HDBaseT product or sink device's maximum transmission distance.

Up to 492 ft. (150 m): 1080p (24 bit) in Long reach mode. For Long reach mode, use IDK's HDBaseT Products that supports 328 ft. (100 m) or longer.

*11 Seamless switching with a black frame.

*12 If multiple sink devices are connected, the actual number of outputs becomes two: OUT1 to OUT4 (as a group) and OUT5 to OUT6 (as another group).

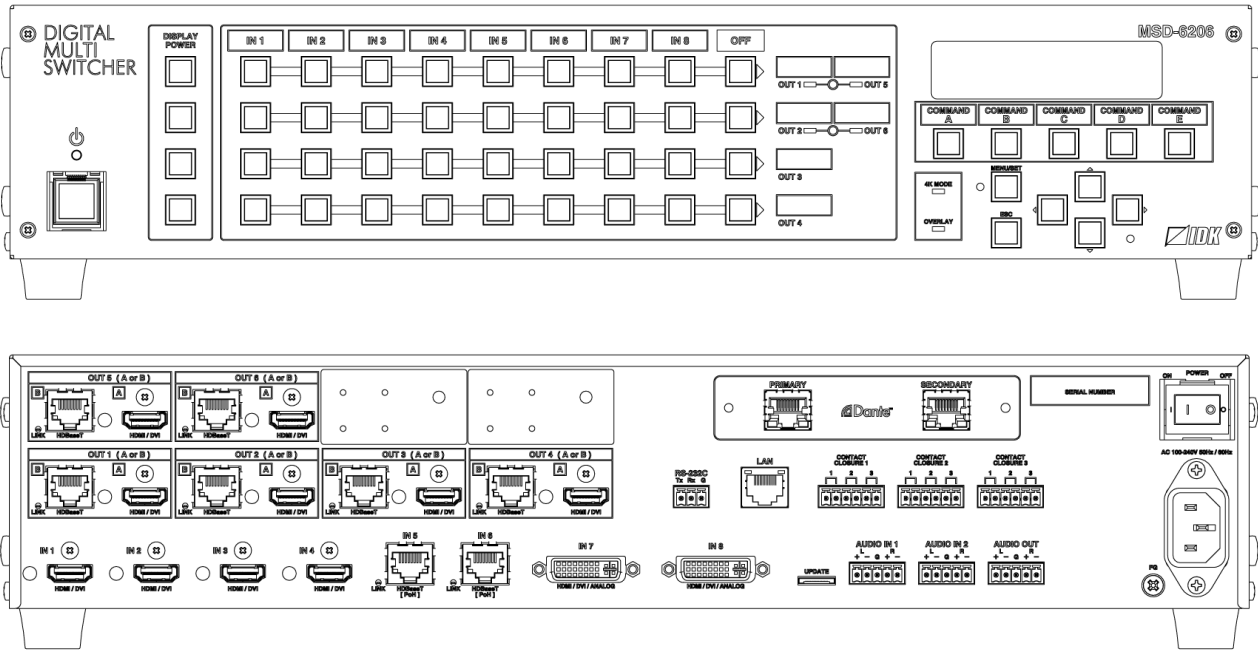
*13 4K format is not supported.

*14 The anti-snow feature automatically fixes snow noise that is a specific symptom of HDCP-compliant signals and mainly occurs at start-up. This feature does not work when snow noise has already occurred during startup or when it occurs due to a bad condition of the transmission line.

●All specifications and drawings are subject to change without notice. ●Blu-ray Disc and Blu-ray is a trademarks of Blu-ray Disc Association. ●Please do not use the supplied AC adapter and power supply cable for other products. ●Audinate®, the Audinate logo and Dante are trademarks of Audinate Pty Ltd. ●HDBaseT™ and the HDBaseT Alliance Logo are trademarks of the HDBaseT Alliance. ●The terms HDMI and HDMI High-Definition Multimedia Interface, and the HDMI Logo are trademarks or registered trademarks of HDMI Licensing Administrator, Inc. in the United States and other countries. ●PLink is a trademark in Japan, the United States, and other countries/regions. ●The terms Anti-snow and Connection Reset are registered trademarks of IDK Corporation in Japan. ●All other company and product names mentioned in this document are either registered trademarks or trademarks of their respective owners. In this document, the "®" or "™" marks may not be specified.

- *14 For digital systems, some problems, such as an HDCP authentication error, can often be recovered by physically disconnecting and reconnecting the digital cables. However, the Connection Reset feature will fix these problems automatically without the need to physically plug and unplug the cables. It creates the same condition as if the cable were physically disconnected and reconnected. This feature only works for the MSD's output. If other devices are connected between the MSD's output and sink device, this feature may be invalid.
- *15 The sink device must support CEC. Some sink devices cannot be controlled from the MSD through CEC.

■ Front & Rear Panels



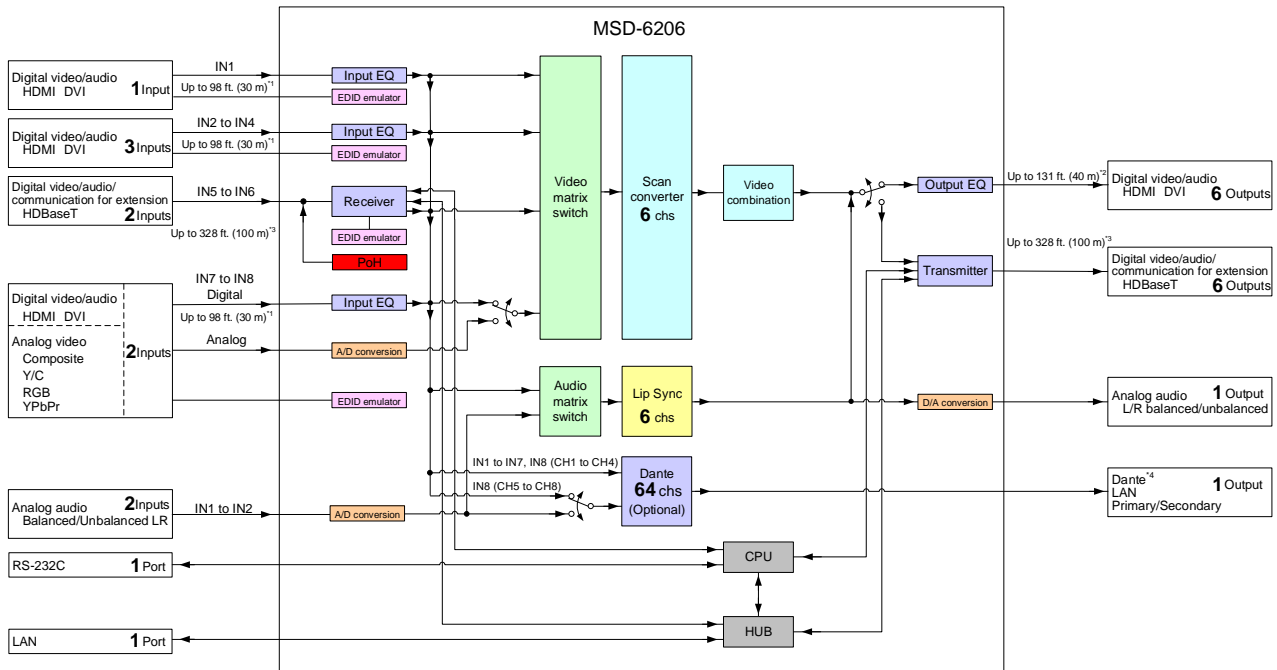
*Dante output is optional.

●All specifications and drawings are subject to change without notice. ●Blu-ray Disc and Blu-ray is a trademarks of Blu-ray Disc Association. ●Please do not use the supplied AC adapter and power supply cable for other products. ●Audinate®, the Audinate logo and Dante are trademarks of Audinate Pty Ltd. ●HDBaseT™ and the HDBaseT Alliance Logo are trademarks of the HDBaseT Alliance. ●The terms HDMI and HDMI High-Definition Multimedia Interface, and the HDMI Logo are trademarks or registered trademarks of HDMI Licensing Administrator, Inc. in the United States and other countries. ●P.JLink is a trademark in Japan, the United States, and other countries/regions. ●The terms Anti-snow and Connection Reset are registered trademarks of IDK Corporation in Japan. ●All other company and product names mentioned in this document are either registered trademarks or trademarks of their respective owners. In this document, the “®” or “™” marks may not be specified.



Digital Multi Switcher MSD-6206 Diagram and Features

■ Diagram



¹ Maximum transmission distances
Up to 98 ft. (30 m) : 1080p@60
Up to 66 ft. (20 m) : 4K@30 (IN1 only)

² Maximum transmission distances
Up to 131 ft. (40 m) : 1080p@60
Up to 98 ft. (30 m) : 4K@30

³ Maximum transmission distances
Up to 328 ft. (100 m) : 4K@30
Up to 492 ft. (150 m) : 1080p (24 bit) in Long reach mode

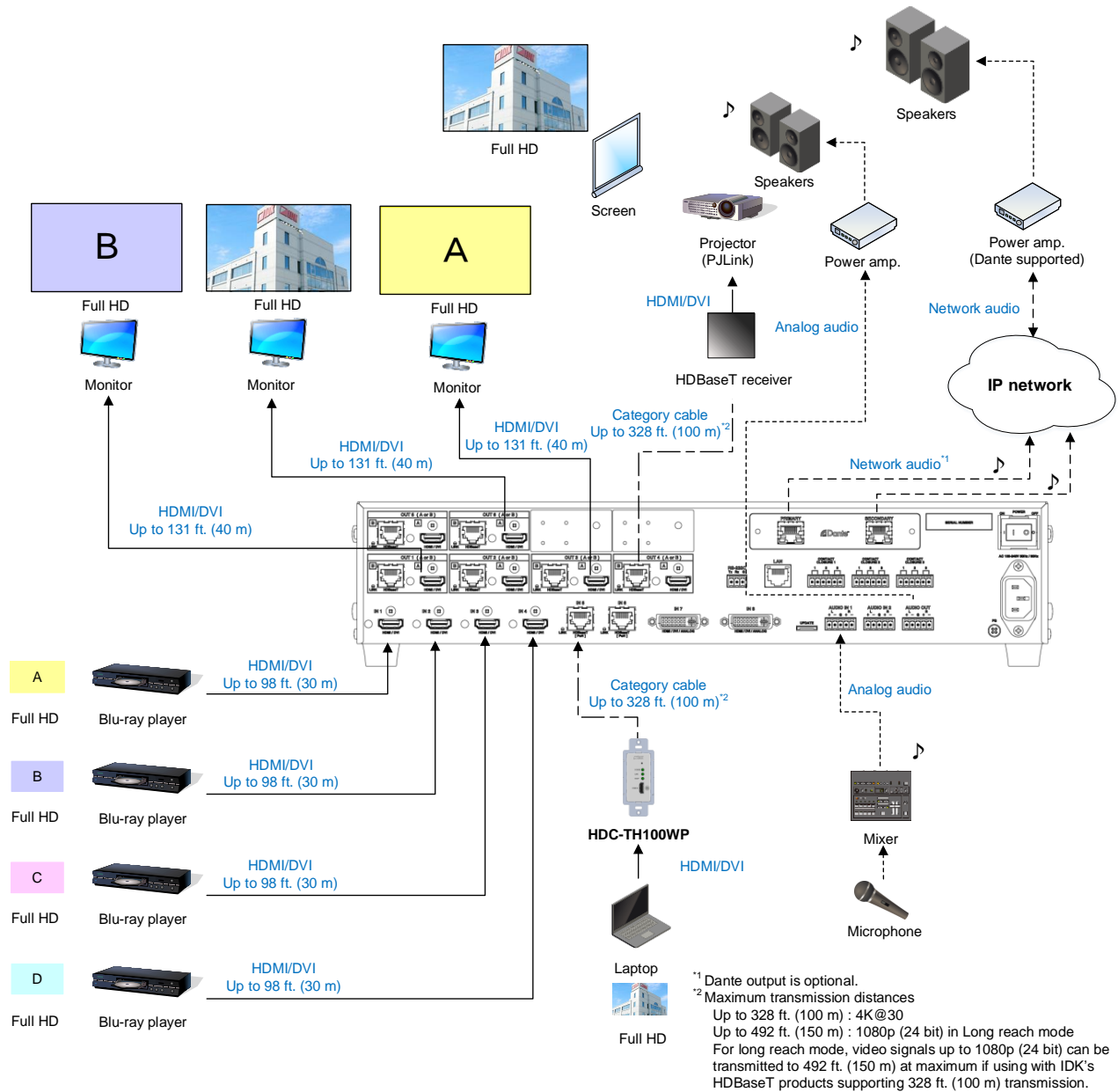
For long reach mode, video signals up to 1080p (24 bit) can be transmitted to 492 ft. (150 m) at maximum if using with IDK's HDBaseT products supporting 328 ft. (100 m) transmission.

⁴ Dante output is optional.

● All specifications and drawings are subject to change without notice. ● Blu-ray Disc and Blu-ray is a trademarks of Blu-ray Disc Association. ● Please do not use the supplied AC adapter and power supply cable for other products. ● Audinate®, the Audinate logo and Dante are trademarks of Audinate Pty Ltd. ● HDBaseT™ and the HDBaseT Alliance Logo are trademarks of the HDBaseT Alliance. ● The terms HDMI and HDMI High-Definition Multimedia Interface, and the HDMI Logo are trademarks or registered trademarks of HDMI Licensing Administrator, Inc. in the United States and other countries. ● PLink is a trademark in Japan, the United States, and other countries/regions. ● The terms Anti-snow and Connection Reset are registered trademarks of IDK Corporation in Japan. ● All other company and product names mentioned in this document are either registered trademarks or trademarks of their respective owners. In this document, the “®” or “™” marks may not be specified.

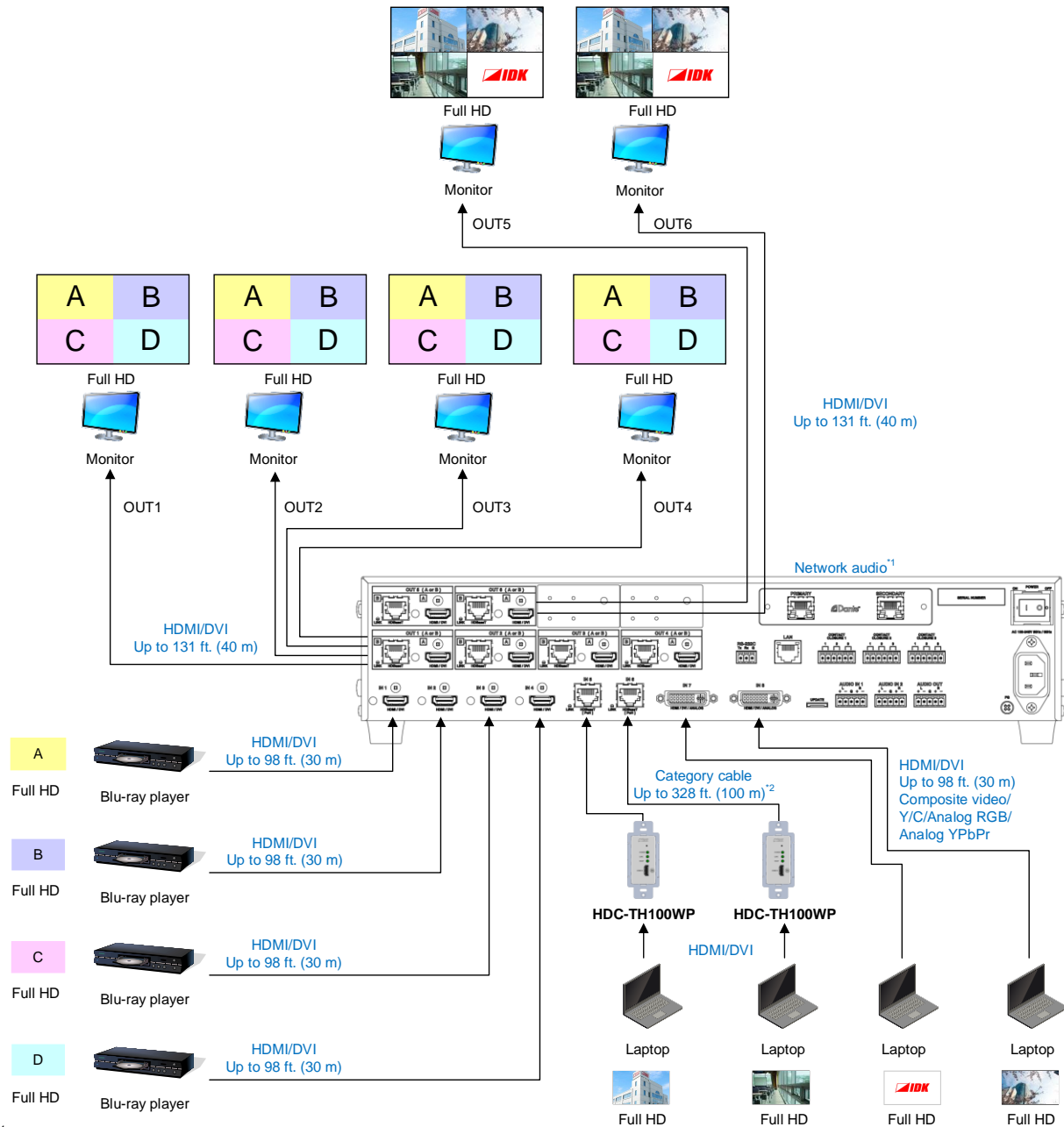
■ Application Example

<Regular mode: Full HD Video>



●All specifications and drawings are subject to change without notice. ●Blu-ray Disc and Blu-ray is a trademarks of Blu-ray Disc Association. ●Please do not use the supplied AC adapter and power supply cable for other products. ●Audinate®, the Audinate logo and Dante are trademarks of Audinate Pty Ltd. ●HDBaseT™ and the HDBaseT Alliance Logo are trademarks of the HDBaseT Alliance. ●The terms HDMI and HDMI High-Definition Multimedia Interface, and the HDMI Logo are trademarks or registered trademarks of HDMI Licensing Administrator, Inc. in the United States and other countries. ●PJLink is a trademark in Japan, the United States, and other countries/regions. ●The terms Anti-snow and Connection Reset are registered trademarks of IDK Corporation in Japan. ●All other company and product names mentioned in this document are either registered trademarks or trademarks of their respective owners. In this document, the “®” or “™” marks may not be specified.

<Image combination mode: Full HD Video (Multiview)>



¹ Dante output is optional.

² Maximum transmission distances

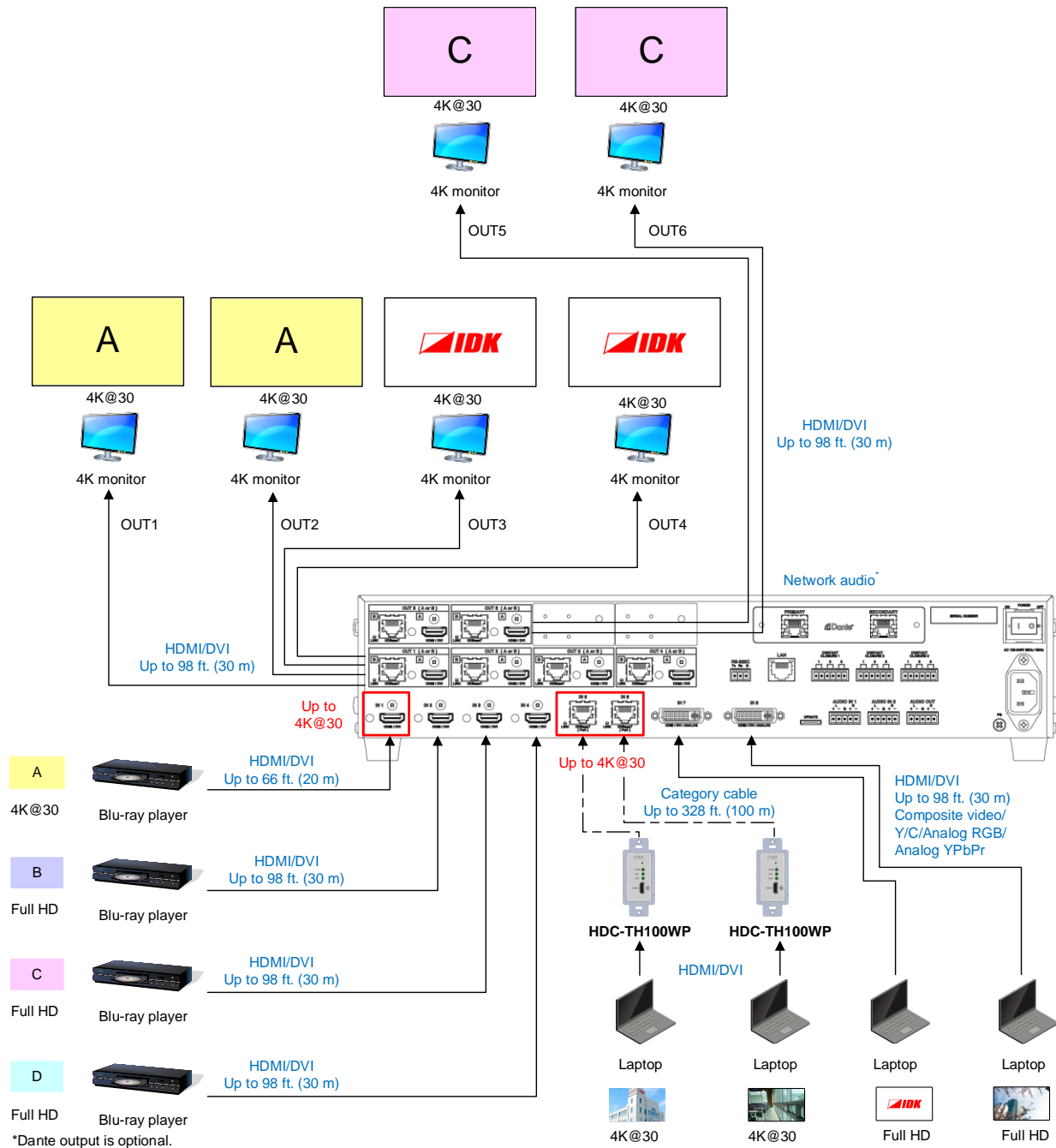
Up to 328 ft. (100 m) : 4K@30

Up to 492 ft. (150 m) : 1080p (24 bit) in Long reach mode

For long reach mode, video signals up to 1080p (24 bit) can be transmitted to 492 ft. (150 m) at maximum if using with IDK's HDBaseT products supporting 328 ft. (100 m) transmission.

●All specifications and drawings are subject to change without notice. ●Blu-ray Disc and Blu-ray is a trademarks of Blu-ray Disc Association. ●Please do not use the supplied AC adapter and power supply cable for other products. ●Audinate®, the Audinate logo and Dante are trademarks of Audinate Pty Ltd. ●HDBaseT™ and the HDBaseT Alliance Logo are trademarks of the HDBaseT Alliance. ●The terms HDMI and HDMI High-Definition Multimedia Interface, and the HDMI Logo are trademarks or registered trademarks of HDMI Licensing Administrator, Inc. in the United States and other countries. ●PLink is a trademark in Japan, the United States, and other countries/regions. ●The terms Anti-snow and Connection Reset are registered trademarks of IDK Corporation in Japan. ●All other company and product names mentioned in this document are either registered trademarks or trademarks of their respective owners. In this document, the “®” or “™” marks may not be specified.

<4K mode: 4K Video>



●All specifications and drawings are subject to change without notice. ●Blu-ray Disc and Blu-ray is a trademarks of Blu-ray Disc Association. ●Please do not use the supplied AC adapter and power supply cable for other products. ●Audinate®, the Audinate logo and Dante are trademarks of Audinate Pty Ltd. ●HDBaseT™ and the HDBaseT Alliance Logo are trademarks of the HDBaseT Alliance. ●The terms HDMI and HDMI High-Definition Multimedia Interface, and the HDMI Logo are trademarks or registered trademarks of HDMI Licensing Administrator, Inc. in the United States and other countries. ●PJLink is a trademark in Japan, the United States, and other countries/regions. ●The terms Anti-snow and Connection Reset are registered trademarks of IDK Corporation in Japan. ●All other company and product names mentioned in this document are either registered trademarks or trademarks of their respective owners. In this document, the “®” or “™” marks may not be specified.

[Features]**■ Video**

- Up to 4K@30
- Automatic input signal equalization
 - Input Up to 98 ft. (30 m) : 1080p@60, Up to 66 ft. (20 m) : 4K@30
 - Output Up to 131 ft. (40 m) : 1080p@60, Up to 98 ft. (30 m) : 4K@30
- Motion adaptive interlaced/progressive conversion
- Scan conversion
- Aspect ratio control
- Horizontal flip¹
- Seamless switching with one black frame
- Analog/Digital conversion
- Anti-snow
- Up to 492 ft. (150 m) over a Cat6 cable in Long reach mode²

■ Audio

- Embedding/De-embedding
- Volume adjustment (Input/Output)
- Lip Sync
- Audio Downmix
- Dante output (Optional)

■ Video combination¹

- Simultaneous display of up to 4 input images on a screen
- Window display priority setting
- Window displaying/hiding

■ Control Input

- RS-232C
- LAN

■ Control output

- Control command output (e.g. controlling projectors)
- PJLink
- CEC (Control sink device power)
- Contact closure

■ Others

- PoH (HDBaseT input)
- EDID emulation
- WEB browser control
- Input channel automatic switching
- Audio breakaway for independent audio and video switching
- Crosspoint memory
- Preset memory
- Last memory
- Connection Reset
- Button security lockout
- HDBaseT: RS-232C, LAN and CEC are supported
- Standby switch

¹ 4K format is not supported.

² For long reach mode, video signals up to 1080p (24 bit) can be transmitted to 492 ft. (150 m) at maximum if using with IDK's HDBaseT products supporting 328 ft. (100 m) transmission.