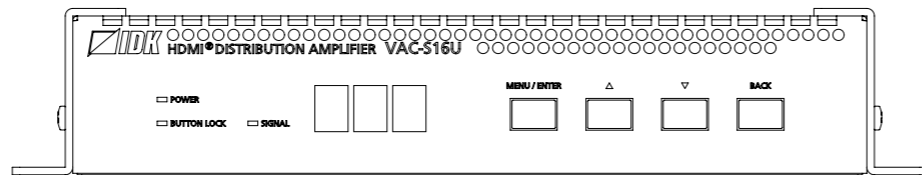
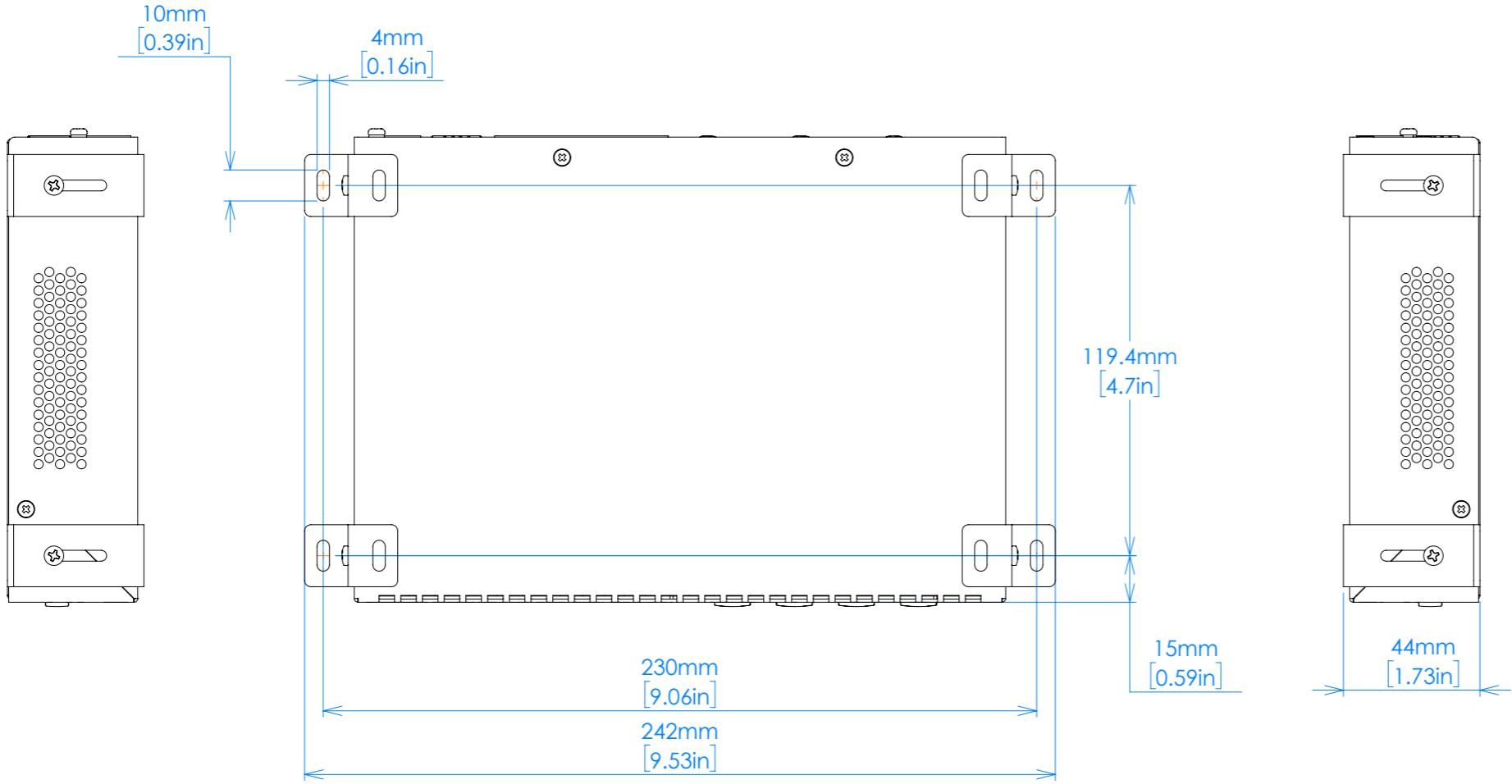
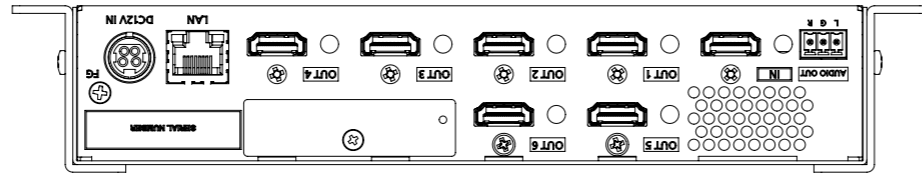
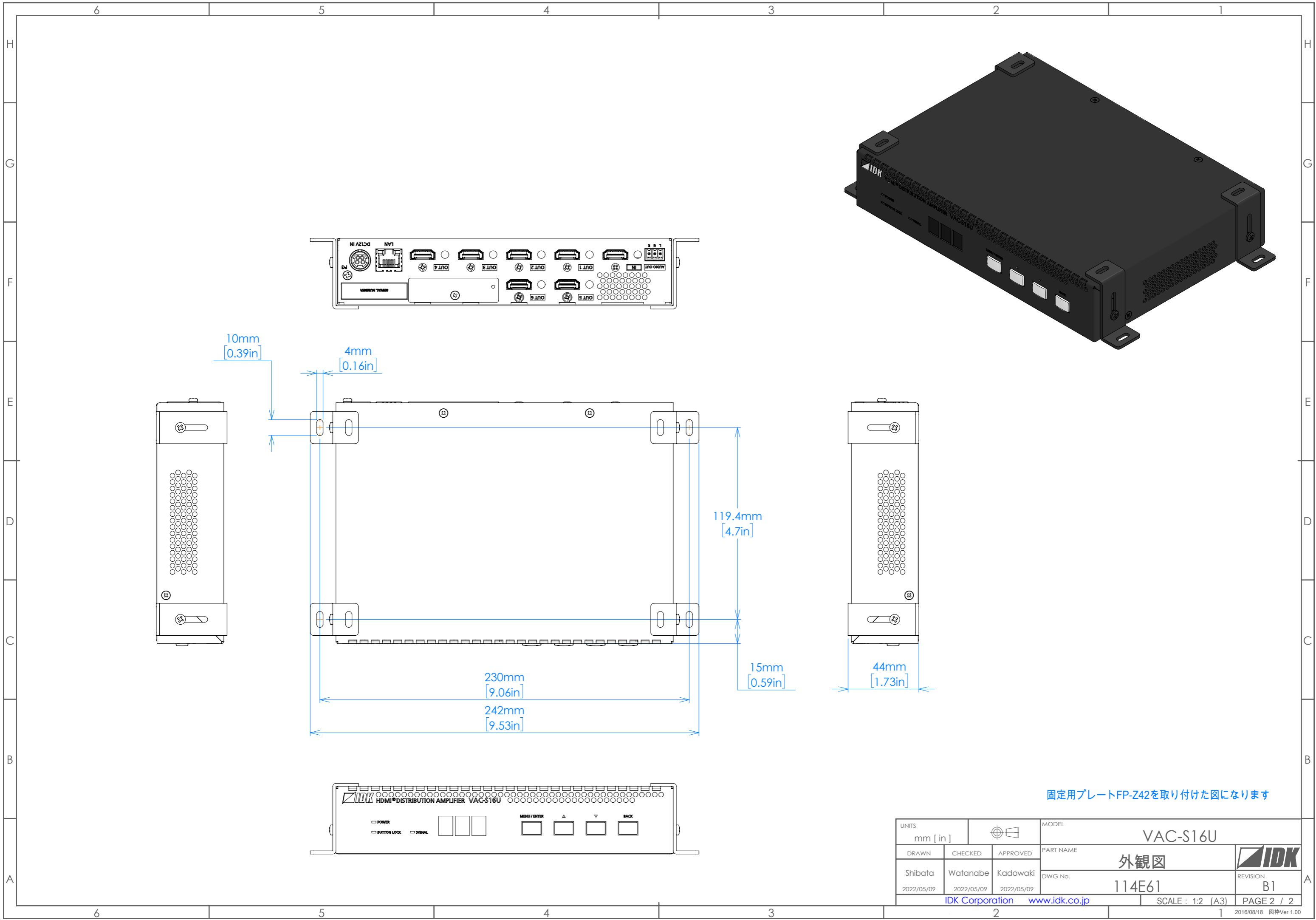


| | | | |
|--------------------------------|-----------------------------------|------------------------------------|---------------------------------------|
| UNITS mm [in] | | MODEL VAC-S16U | |
| DRAWN Shibata 2022/05/09 | CHECKED Watanabe 2022/05/09 | APPROVED Kadowaki 2022/05/09 | PART NAME 外観図 DWG No. 114E61 |
| IDK Corporation www.idk.co.jp | | | REVISION B1 |
| SCALE : 1:2 (A3) | | | PAGE 1 / 2 |



固定用プレートFP-Z42を取り付けた図になります

| | | | |
|--------------------------------|-----------------------------------|------------------------------------|---------------------------------------|
| UNITS mm [in] | | MODEL VAC-S16U | |
| DRAWN Shibata 2022/05/09 | CHECKED Watanabe 2022/05/09 | APPROVED Kadowaki 2022/05/09 | PART NAME 外観図 DWG No. 114E61 |
| IDK Corporation www.idk.co.jp | | | REVISION B1 |
| SCALE : 1:2 (A3) | | | PAGE 2 / 2 |